

**HISTORICAL FACT SHEET Telephone Industry Related Companies**



COMPANY Willard & Cheney Telephone Company

DATE ORGANIZED 1881

WHERE ORGANIZED Charlotte, MI

FOUNDER(S) Henderson Willard, Alonzo Cheney

NATURE OF BUSINESS Manufacturer (acoustic telephones)

Subsequent names or significant changes resulting from acquisitions, consolidation, sales or bankruptcies:

DATE

	DATE

REMARKS We can find very little information on this company. The early patent dates for their acoustic telephone was 1879 but the company was not formed until 1881

Source: US Patent Office

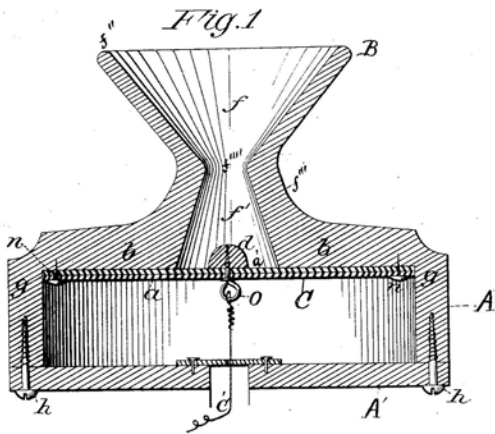


(Model.)

H. WILLARD.  
Acoustic Telephone.

No. 238,740.

Patented March 8, 1881.



H. WILLARD & A. M. CHENEY.  
Mechanical Telephone.

No. 211,486.

Patented Jan. 21, 1879.

Fig. 1.

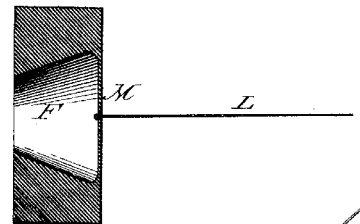
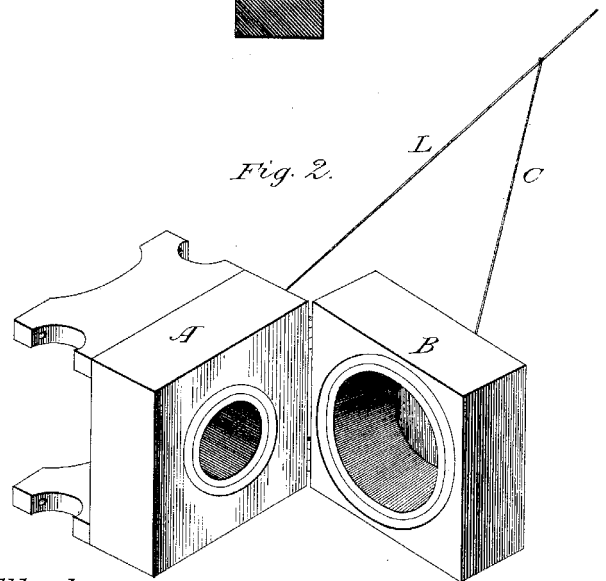


Fig. 2.



Attest:

*Phil. D. Patterson*  
*Geo. M. Rowley*

Inventors

*Henderson Willard*  
*Alonzo M. Cheney*

Witnesses:  
*Geo. Waddell*  
*of Oregon*

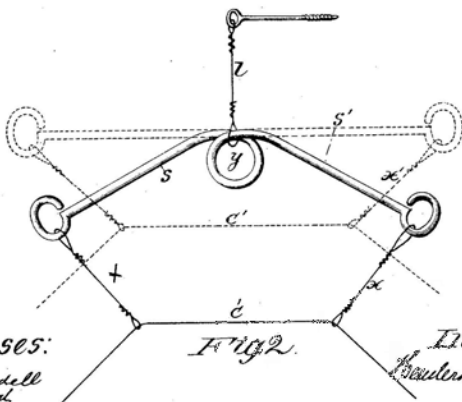


Fig. 2.

Inventor:  
*Henderson Willard*