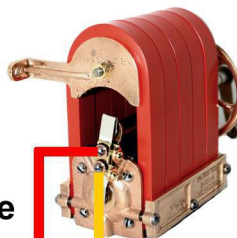


SIMPLE INTERCOM CIRCUIT USING 2 TELEPHONES WITH MAGNETO / GENERATOR SIGNALLING



MAGNETO / GENERATOR

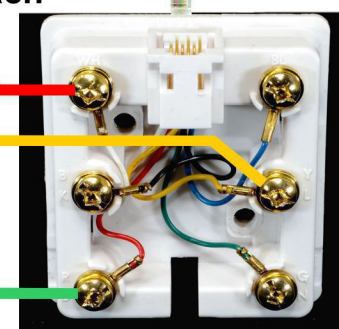
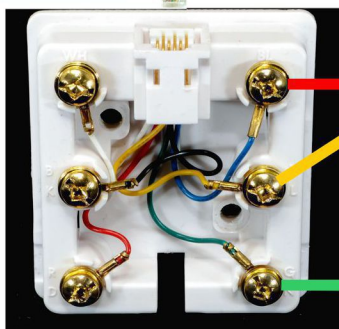


**RJ-11
Modular
Jack
Connection**

Connect the yellow wire in the modular line cord to the "Gnd" ground terminal on the small square terminal board along with the black wire from the ringer.

If magneto signalling is used, connect the "Red" wire shown in this schematic, in such a fashion, that it is connected to the L-2 terminal on the induction coil inside each telephone.

**RJ-11
Modular
Jack
Connection**

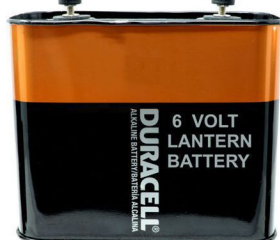


To L-2 on Ind. Coil in Both Telephones

To L-1 on Ind. Coil in Both Telephones

To add signalling option, connect a 3rd conductor in cord running between the 2 telephones. Connect magneto / generator to the additional 3rd line, and the line "NOT" connected to the battery. In this case, "red". Inside telephone, connect "Red" wire from ringer to "L-2". Connect the black wire from the ringer to "Gnd" (Ground) terminal on small square terminal board. Connect yellow wire from modular line cord to that same "Gnd" terminal as the black wire from ringer.

A second magneto can be used, as long as it is connected in the exact same fashion.



**LANTERN BATTERY WILL PROVIDE THE
SAME OFF-HOOK TALK VOLTAGE AS A
STANDARD TELCO TELEPHONE LINE**