

HISTORICAL FACT SHEET Telephone Industry Related Companies



COMPANY Spencer Electrical Company

DATE ORGANIZED C1896

WHERE ORGANIZED New York, NY

FOUNDER(S) James H. Spencer, Joseph Spencer, Henry Walcott, William Pendleton

NATURE OF BUSINESS Manufacturer

Subsequent names or significant changes resulting from acquisitions, consolidation, sales or bankruptcies:

Re-incorporated with J.H. Spencer, Henry Dawson, C.L. Child

DATE

1901

By 1915 the company was listed in trade magazines as Spencer

Importing Company with J.H. Spencer as President

1915

REMARKS No incorporation date could be located however the earliest finding in a trade journal was in 1896. The company catered to the interior telephone business trade and was listed in The Mechanical Index of 1904 as such. The company can still be found in a 1917 directory but not for manufacturing telephones rather for electrical testing apparatus. In 1915 the company was listed as Spencer Importing Company.

Source: Electrical Engineer, 1898; Electrical World, 1896, Trow Copartners & Corp of NY, 1909 McGraw Electrical Trade Directory, 1917; Scientific American, 1902; Engineering News, 1901; <http://www.rarestfinds.com/>



© rarestinds.com



Telephones



Each telephone its own Central, one movement to call, nothing to turn back. Saves half your time without using unreliable automatic attachments. Only one movable part, nothing to get out of order. The only Central Battery and Central Coil System in use. Especially desirable for business plants of five to twelve stations, radius of 1,000 feet. Efficiency guaranteed.

Office of SCIENTIFIC AMERICAN equipped.

SPENCER ELECTRICAL CO.,

163 Greenwich St., New York.



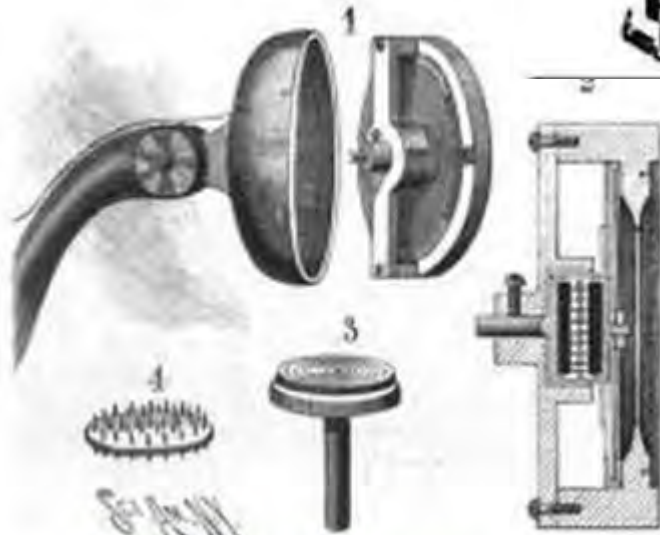
Telephone Transmitters...

High grade, practical working Transmitters, superior to all others. Patented Jan. 4, 1898, and May 9, 1899. All shapes. Catalogue on application.

MANUFACTURERS OF

Interior inter-communicating Telephones. Each telephone is its own central. One group of batteries for calling and talking. Quick acting, substantial, durable, economical. Far superior to anything on the market. A variety of styles and any design made to order. System patented Aug. 25, 1897.

SPENCER ELECTRICAL CO.,
163 Greenwich St., New York.



THE SPENCER-KEYES TELEPHONE TRANSMITTER.

No. 624,696. J. H. SPENCER. Patented May 9, 1899.
TELEPHONE TRANSMITTER.
(No Model.) (Application filed Nov. 20, 1898.)

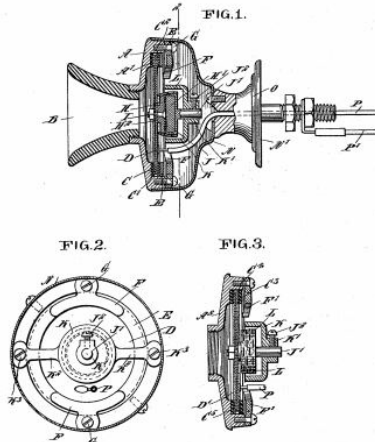


FIG. 4. WITNESSES: *Russell Smithell*, *Henry H. Smith*. INVENTOR: *J. H. Spencer*. ATTORNEYS: *Henry H. Smith*.

(No Model.) J. H. SPENCER & M. S. KEYS. Patented Jan. 4, 1898.
TELEPHONE TRANSMITTER.
No. 596,834.

