

HISTORICAL FACT SHEET Telephone Industry Related Companies



COMPANY Shyvers Manufacturing Company

DATE ORGANIZED 1931

WHERE ORGANIZED Seattle, WA

FOUNDER(S) Kenneth C. Shyvers

NATURE OF BUSINESS Manufacturer

Subsequent names or significant changes resulting from acquisitions, consolidation, sales or bankruptcies:

DATE

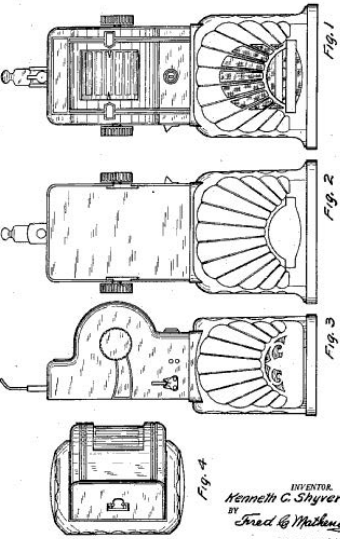
REMARKS The Shyvers Manufacturing Company was formed in 1931 to manufacture pin ball machines. In 1939 Mr. Shtvers patented a Multiphone juke box, not a telephone per se. It had a transmitter to talk to an "operator" to request a song over the telephone line. Several of these multiphones are in telephone collector's collections.

Source: History of Shyver's Pin Ball Machines and Juke Box's



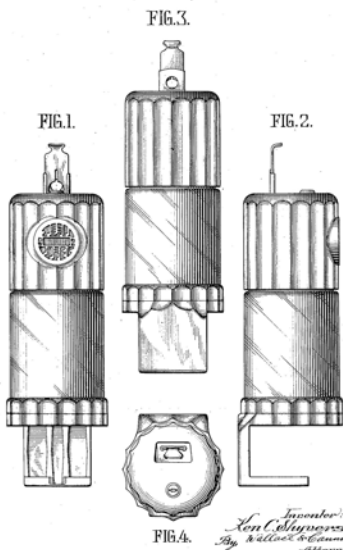
Above: Two different tokens

June 3, 1947. K. C. SHYVERS Des. 146,881
MUSIC BOX
Filed Feb. 9, 1946



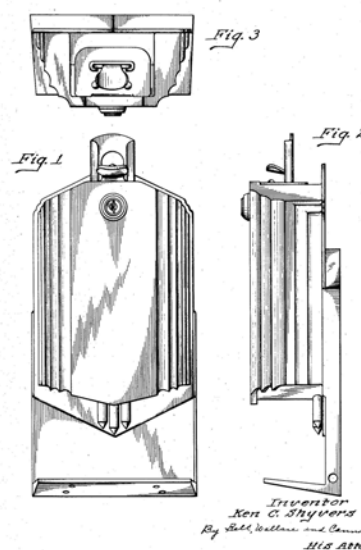
INVENTOR
Kenneth C. Shyvers
By Fred G. Matheny
ATTORNEY

May 27, 1941. K. C. SHYVERS Des. 127,511
TELEPHONIC MUSIC SELECTOR APPARATUS
Filed Feb. 15, 1941



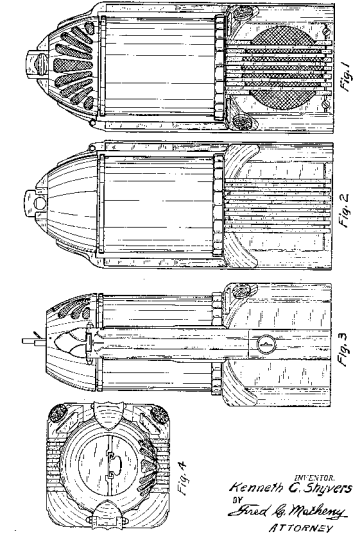
INVENTOR
Ken C. Shyvers
By Wilcox & Cannon
ATTORNEYS

Dec. 20, 1938. K. C. SHYVERS Des. 112,621
COMBINATION COIN CONTROL DEVICE AND MOUNTING THEREOF
Filed Sept. 29, 1938



INVENTOR
Ken C. Shyvers
By Ed. Nelson and Cannon
ATTORNEYS

June 1, 1948. K. C. SHYVERS Des. 149,846
MUSIC BOX
Filed April 30, 1947



INVENTOR
Kenneth C. Shyvers
By Fred G. Matheny
ATTORNEY