

HISTORICAL FACT SHEET Telephone Industry Related Companies



William Ayres & Sons Co.

COMPANY Root Automatic Toll Box for Telephone Pay Station

DATE ORGANIZED 1890

WHERE ORGANIZED Brooklyn, NY

FOUNDER(S) Howard C. Root

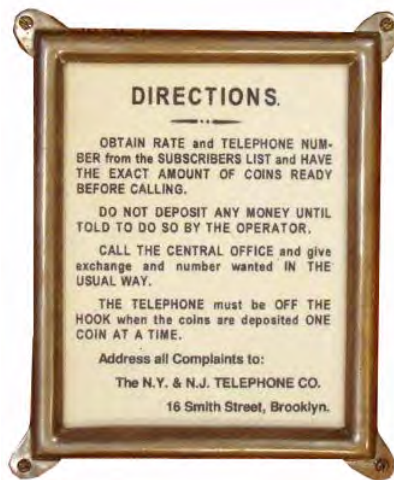
NATURE OF BUSINESS Inventor

Subsequent names or significant changes resulting from acquisitions, consolidation, sales or bankruptcies:

DATE

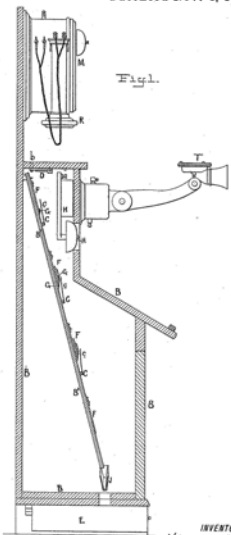
REMARKS The inventor, Howard Root, sold half the interest in his patent to Lewis H. Ayres of Philadelphia, PA. Lewis was with his father's manufacturing business, William Ayres & Sons whom it appears manufactured the coin mechanisms, coin box and backboards for the for telephones. These were sold to the NY and NJ Telephone Company who in turn added their own top box to complete the payphone.

There is speculation that NY & NJ Telephone may have manufactured the complete telephone for Howard Root Automatic Toll.



Louis H Ayres

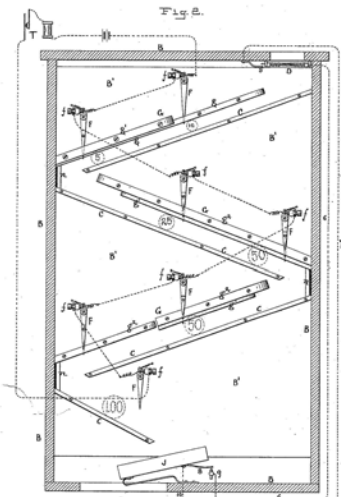
(No Model.) H. C. ROOT. 3 Sheets—Sheet 1.
 AUTOMATIC TOLL SYSTEM FOR TELEPHONE PAY STATIONS.
 No. 440,118. Patented Nov. 4, 1890.



WITNESSES:
John Revell
George Baumann

INVENTOR
Howard S. Root
 BY
Howman and Howman
 ATTORNEYS

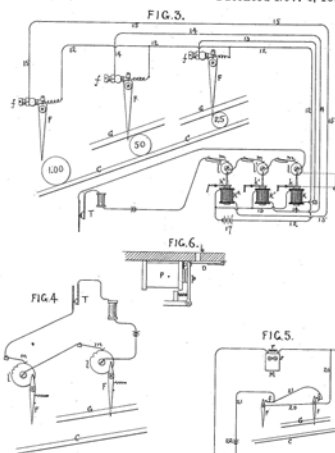
(No Model.) H. C. ROOT. 3 Sheets—Sheet 2.
 AUTOMATIC TOLL SYSTEM FOR TELEPHONE PAY STATIONS.
 No. 440,118. Patented Nov. 4, 1890.



WITNESSES:
John Revell
George Baumann

INVENTOR
Howard S. Root
 BY
Howman and Howman
 ATTORNEYS

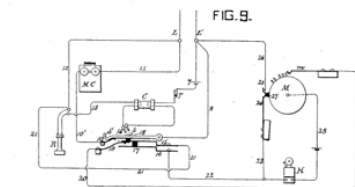
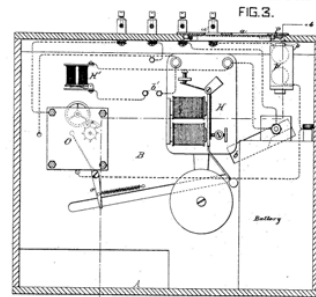
(No Model.) H. C. ROOT. 3 Sheets—Sheet 3.
 AUTOMATIC TOLL SYSTEM FOR TELEPHONE PAY STATIONS.
 No. 440,118. Patented Nov. 4, 1890.



WITNESSES:
George Baumann
John Revell

INVENTOR
Howard S. Root
 BY
Howman and Howman
 ATTORNEYS

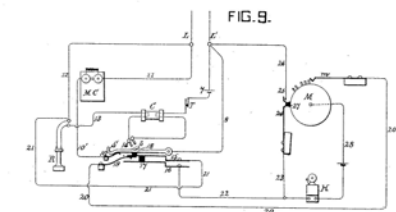
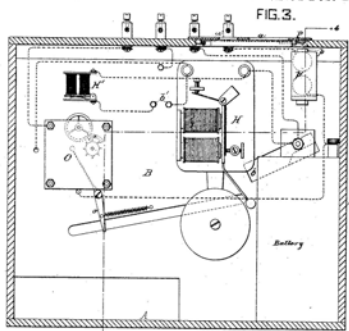
(No Model.) H. C. ROOT. 3 Sheets—Sheet 2.
 AUTOMATIC TOLL BOX FOR TELEPHONE PAY STATIONS.
 No. 515,170. Patented Feb. 20, 1894.



WITNESSES:
George Baumann
W. H. Keller

INVENTOR
Howard S. Root
 BY
Howman and Howman
 ATTORNEYS

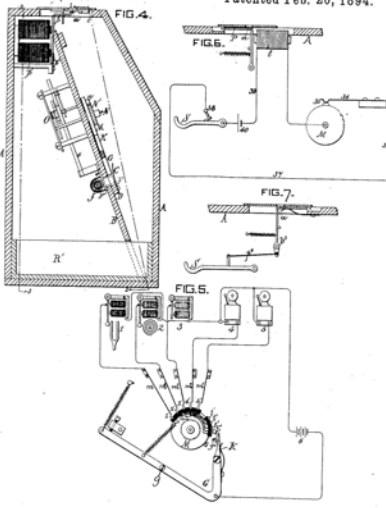
(No Model.) H. C. ROOT. 3 Sheets—Sheet 2.
 AUTOMATIC TOLL BOX FOR TELEPHONE PAY STATIONS.
 No. 515,170. Patented Feb. 20, 1894.



WITNESSES:
George Baumann
W. H. Keller

INVENTOR
Howard S. Root
 BY
Howman and Howman
 ATTORNEYS

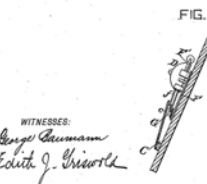
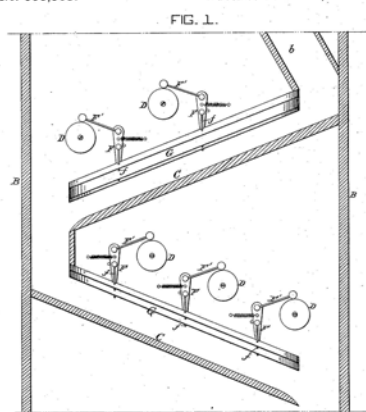
(No Model.) H. C. ROOT. 3 Sheets—Sheet 3.
 AUTOMATIC TOLL BOX FOR TELEPHONE PAY STATIONS.
 No. 515,170. Patented Feb. 20, 1894.



WITNESSES:
George Baumann
W. H. Keller

INVENTOR
Howard S. Root
 BY
Howman and Howman
 ATTORNEYS

(No Model.) H. C. ROOT. 3 Sheets—Sheet 3.
 AUTOMATIC TOLL BOX FOR TELEPHONE PAY STATIONS.
 No. 553,361. Patented Jan. 21, 1896.



WITNESSES:
George Baumann
Edith J. Brivort

INVENTOR
Howard S. Root
 BY
Howman and Howman
 ATTORNEYS