

**HISTORICAL FACT SHEET Telephone Industry Related Companies**



COMPANY The Pulsion Telephone Company

DATE ORGANIZED 1889

WHERE ORGANIZED Concord, NH

FOUNDER(S) Lemuel Mallett

NATURE OF BUSINESS Manufacturer (Mechanical Telephone)

Subsequent names or significant changes resulting from acquisitions, consolidation, sales or bankruptcies:

Name changed to New Pulsion Telephone Supply Company

of Boston, MA

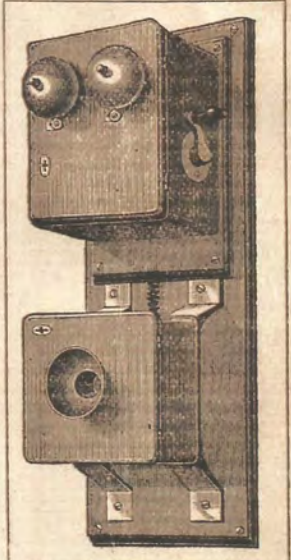
DATE

1890

REMARKS Lemuel Mellett patented a mechanical telephone and formed his own company to produce and market the product. Sometime in 1890 he moved the company to Boston and changed the name to New Pulsion Telephone Supply Co of Boston.

Source: Electrical World, 1889; Western Electrician, 1891

**The Pulsion Telephone Company.**



**THIS COMPANY IS PREPARED TO LEASE LINES TO SUBSCRIBERS AT REASONABLE RENTALS.**

**THE PULSION TELEPHONE CO. NEW SYSTEM.**



MAY BE SEEN AT  
 Nos. 14 & 15 Sears Building, 199 Washington Street,  
 BOSTON, MASS.

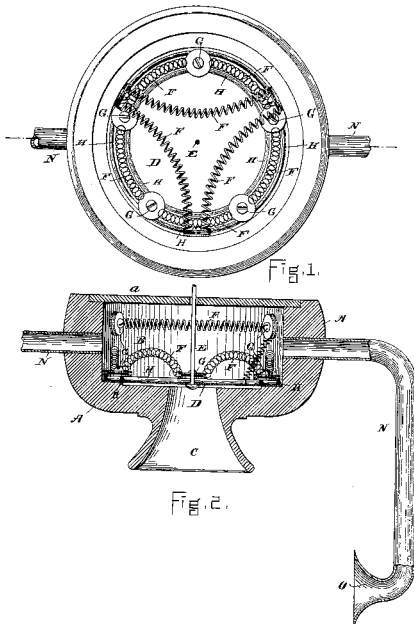
*We are prepared to lease lines at such rates that all who need a telephone can have one.*

DESCRIPTIVE PAMPHLET SENT TO ANY ADDRESS ON APPLICATION.

**THE PULSION TELEPHONE CO.**

57

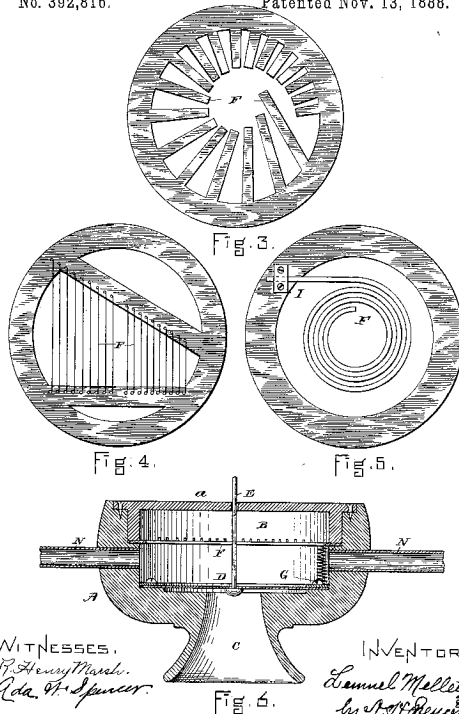
(No Model.) 3 Sheets—Sheet 1.  
 L. MELLETT.  
 MECHANICAL TELEPHONE.  
 No. 392,816. Patented Nov. 13, 1888.



WITNESSES.  
 H. Henry Marsh.  
 Adm. H. Spencer.

INVENTOR.  
 Lemuel Mellett  
 by A. H. Spencer, atty.

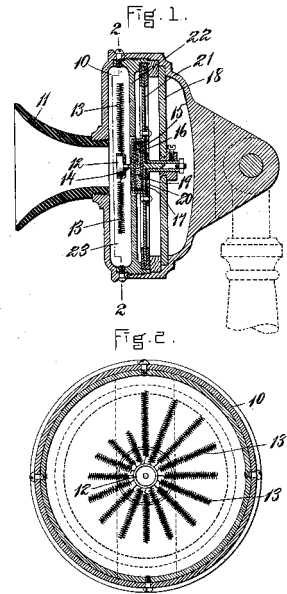
(No Model.) 3 Sheets—Sheet 2.  
 L. MELLETT.  
 MECHANICAL TELEPHONE.  
 No. 392,816. Patented Nov. 13, 1888.



WITNESSES.  
 H. Henry Marsh.  
 Adm. H. Spencer.

INVENTOR.  
 Lemuel Mellett  
 by A. H. Spencer, atty.

No. 721,817. PATENTED MAR. 3, 1903.  
 L. MELLETT.  
 TELEPHONE TRANSMITTER.  
 APPLICATION FILED JUNE 8, 1902.  
 NO MODEL.



WITNESSES.  
 Adeline C. Putnam  
 H. L. Kothman.

INVENTOR.  
 Lemuel Mellett  
 by Weyford, Brown & Sewell  
 Attorneys.