

**HISTORICAL FACT SHEET Telephone Industry Related Companies**



Rendition of intercom based on patent drawing (next page) since no phone or image has yet to be found

COMPANY North American Interior Telephone Company

DATE ORGANIZED 1894

WHERE ORGANIZED Baltimore, MD

FOUNDER(S) F. Schulz, K. Bartlett, T. Brimner, C. Hughes

NATURE OF BUSINESS Manufacturer (Interior Telephones)

Subsequent names or significant changes resulting from acquisitions, consolidation, sales or bankruptcies:

DATE

Charles Hughes sold his shares in the company and formed the

Hughes Telephone Manufacturing Company

\_\_\_\_\_

1901

\_\_\_\_\_

\_\_\_\_\_

\_\_\_\_\_

\_\_\_\_\_

\_\_\_\_\_

\_\_\_\_\_

REMARKS Very little information can be found in the telephone magazines about this co. It was formed to manufacture mainly interior type telephones for use in schools, apartments and factories.

Founder, T. Brimner holds telephone patent number 545,402 dated Aug 27, 1895 and assigned to the North American Telephone Mfg Co.

\_\_\_\_\_

Source: Baltimore City Incorp Report, 1894; Telephone Magazine, 1895; Google Patents

(No Model.)

3 Sheets—Sheet 1.

T. R. BRIMNER.  
TELEPHONE AND RETURN CALL SYSTEM.

No. 545,402.

Patented Aug. 27, 1895.

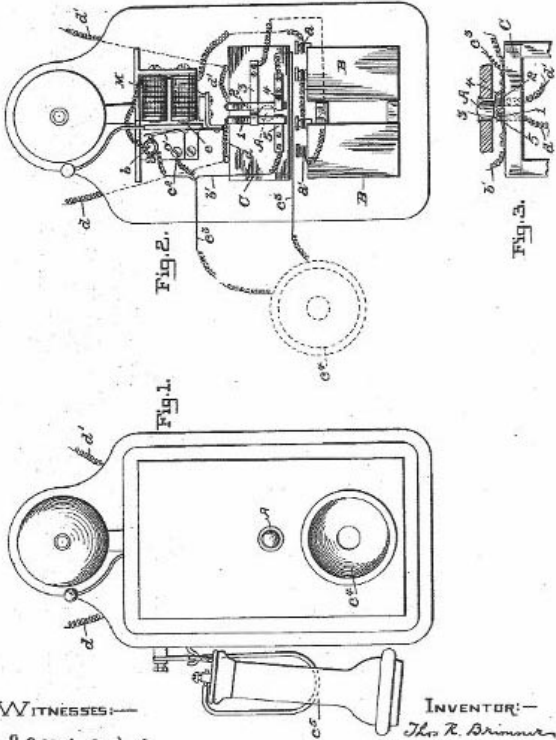


Fig. 2.

Fig. 3.

Fig. 1.

WITNESSES:

H. O. Babendriev  
Charles B. Mann Jr.

INVENTOR:

T. R. Brimmer  
By Chas. B. Mann

ATTORNEY.