

**HISTORICAL FACT SHEET Telephone Industry Related Companies**



COMPANY Modern Electric Company

DATE ORGANIZED 1902

WHERE ORGANIZED Burlington, IA

FOUNDER(S) W.W. Copeland (Pres), J.L.Reed,  
J.B. Woodside, George E. Wheeler (Gen Mgr)

NATURE OF BUSINESS Service Provider, manufacturer

Subsequent names or significant changes resulting from acquisitions, consolidation, sales or bankruptcies:

DATE

---

---

---

---

---

---

---

---

---

---

---

---

---

---

---

---

REMARKS Modern Electric was organized to "manufacture electrical supplies of all kinds and descriptions, and contracting for the supplying, sale, construction and introduction of all kinds of electrical supplies and apparatus, including exchanges, toll lines ....and operating of telephone plants."

Mr. Wheeler holds the patents for a transmitter, receiver and magneto that were assigned to Modern Electric.

Source: The American Telephone Journal, 1903; Telephone Magazine, 1903; Electricity, 1902

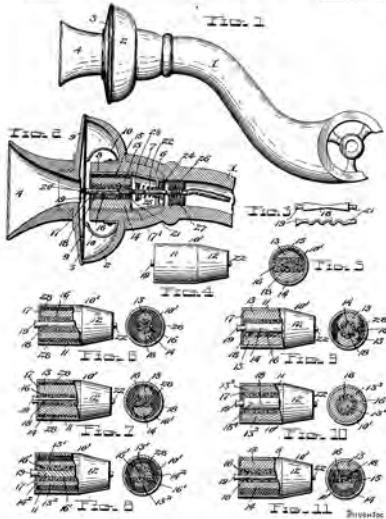
No. 720,844

PATENTED MAY 19, 1903.

G. E. WHEELER.  
TELEPHONE TRANSMITTER.  
APPLICATION FILED JULY 21, 1902.

NO MODEL.

5 SHEETS-SHEET 1.



Inventor  
G. E. Wheeler

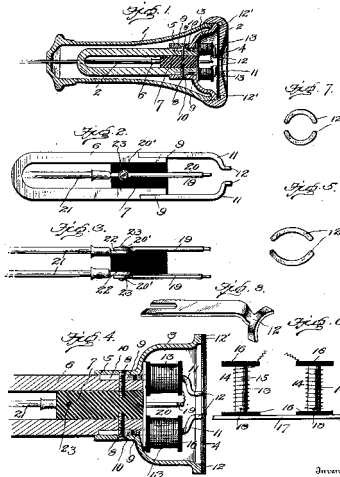
Attorneys  
C. H. Johnson  
H. Wilson & Co.  
Chicago

No. 728,342

PATENTED MAY 19, 1903.

G. E. WHEELER.  
TELEPHONE RECEIVER.  
APPLICATION FILED JUNE 19, 1902.

NO MODEL.



Inventor

George E. Wheeler

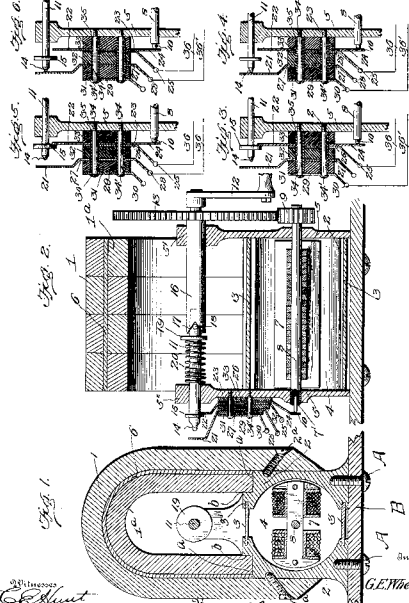
Attorneys  
C. H. Johnson  
H. Wilson & Co.  
Chicago

No. 746,904.

PATENTED DEC. 15, 1903.

G. E. WHEELER.  
MAGNETO GENERATOR.  
APPLICATION FILED DEC. 27, 1902.

NO MODEL.



Inventor

G. E. Wheeler

Attorneys  
C. H. Johnson  
H. Wilson & Co.  
Chicago