

HISTORICAL FACT SHEET Telephone Industry Related Companies



COMPANY Missouri Telephone Construction Co.

DATE ORGANIZED 1893

WHERE ORGANIZED St. Louis, MO

FOUNDER'S Isador J. Kusel

NATURE OF BUSINESS Manufacturer; Service Provider

Subsequent names or significant changes resulting from acquisitions, consolidation, sales or bankruptcies:

DATE

	DATE
_____	_____
_____	_____
_____	_____
_____	_____
_____	_____
_____	_____

REMARKS Mr. Kusel held patents on telephone receiver supports, telephone transmitters and switchboards from 1895 through 1901

Mr. Kusel went on to work for American Electric, was President of Eureka and was a partner with his brother in Kusel & Kusel Telephone Mfg.

Source: Telephony 1904

No. 17, equipped with our No. 38 Transmitter unless otherwise instructed.

No. 19 Long Distance Telephone, equipped with No. 38 Transmitter, when desired.

No. 15 with No. 48 Transmitter. For short private lines and exchanges. Made with intercommunicating device attachment.

Our celebrated No. 38 Transmitter. Sold Separately.

No. 16 with No. 38 Long Distance Transmitter. Guaranteed to talk 1,000 miles.

No. 14. For short lines and interiors.

No. 1 Exchange, standard and special, with No. 48 Transmitter, for Exchanges. Close prices on this instrument.

WATCH

our line of Telephone Equipments for 1893, unsurpassed for durability, efficiency and workmanship.

All generators provided with the latest automatic shunts. Instruments and apparatus purchased from this company are fully guaranteed.

Our switchboard is a model of perfection, complete in every detail.

Before purchasing parts send for our price list. "Everything to fully equip a model and up-to-date telephone exchange."

Missouri Telephone Mfg. Co.
917 and 919 Market Street,
St. Louis, Mo., U. S. A.



FIG. 1.—INSTRUMENT FOR SMALL EXCHANGES.

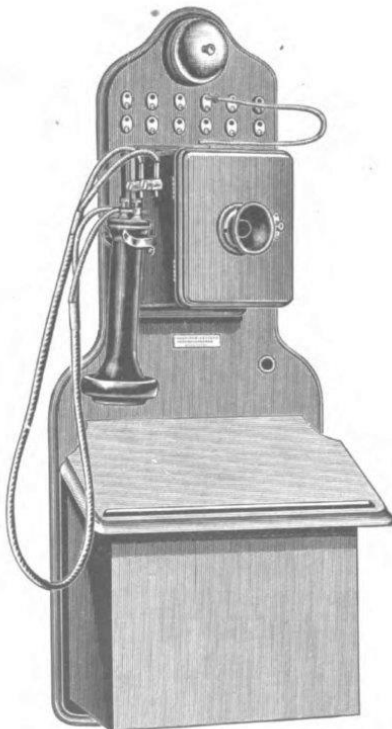


FIG. 3.—INTERIOR SERVICE INSTRUMENT.

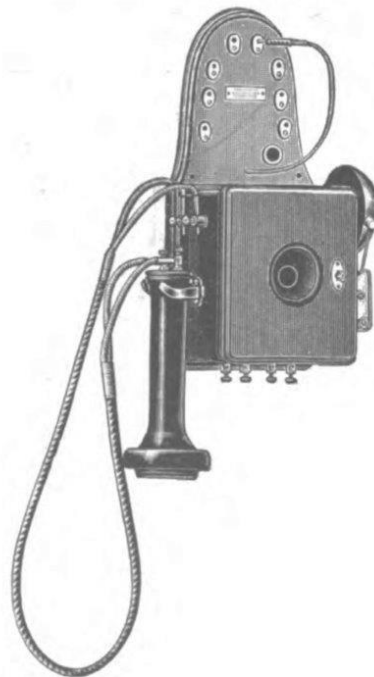
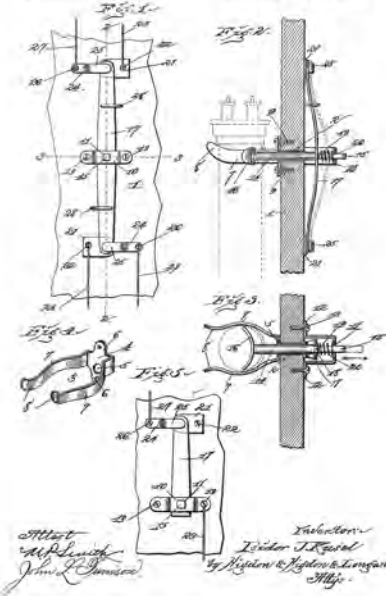


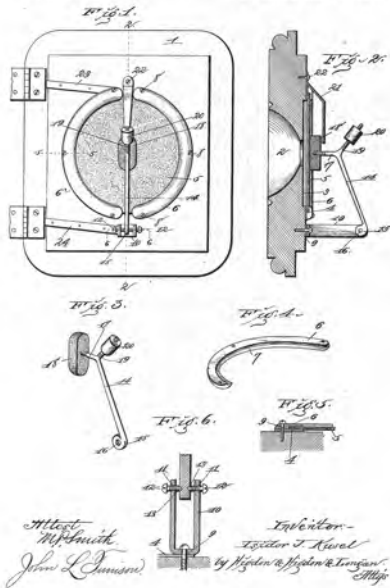
FIG. 2.—INTERIOR SERVICE INSTRUMENT.



(No Model.)
I. J. KUSEL,
 TELEPHONE RECEIVER SUPPORT.
 No. 548,910. Patented Oct. 22, 1895.



(No Model.)
I. J. KUSEL,
 TELEPHONE TRANSMITTER.
 No. 552,089. Patented Jan. 7, 1896.



No. 623,504.
I. J. KUSEL,
 TELEPHONE SWITCHBOARD.
 Patented May 7, 1896.

