

HISTORICAL FACT SHEET Telephone Industry Related Companies



COMPANY Ludlow Telephone Company

DATE ORGANIZED 1885

WHERE ORGANIZED Newport, KY

FOUNDER(S) Freeman Ludlow

NATURE OF BUSINESS Manufacturer (Acoustic Telephone)

Subsequent names or significant changes resulting from acquisitions, consolidation, sales or bankruptcies:

DATE

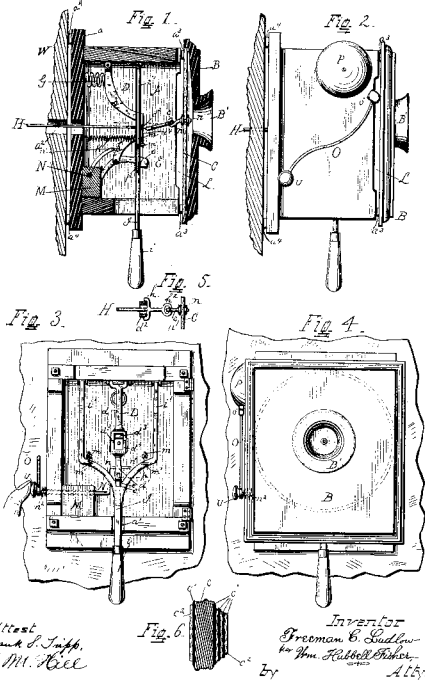
_____	_____
_____	_____
_____	_____
_____	_____
_____	_____
_____	_____

REMARKS Freeman Ludlow patented an acoustic telephone and formed the company to market his product. In 1903 the Telephony Magazine stated that Mr. Ludlow had received permission and was given a franchise to the towns of Bellevue and Dayton to operate a telephone franchise..

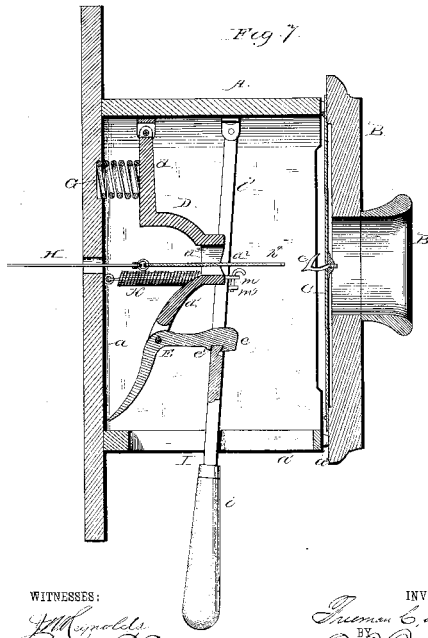
Source: Telephone Journal, 1889; Telephony, 1903



(No Model.) F. C. LUDLOW. 2 Sheets—Sheet 1. MECHANICAL TELEPHONE. No. 314,946. Patented Mar. 31, 1885.

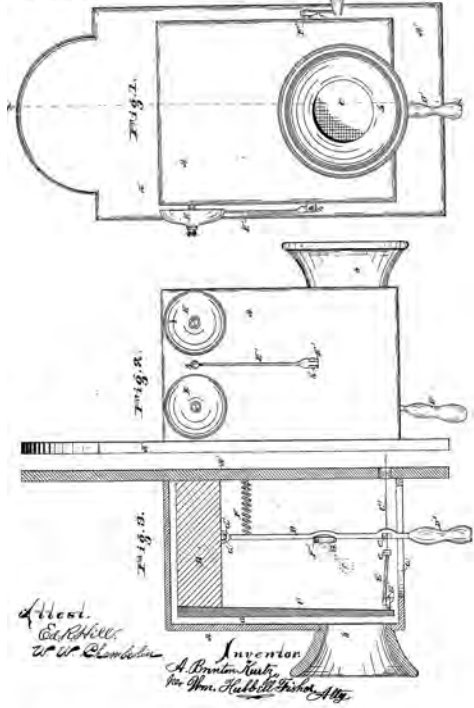


(No Model.) F. C. LUDLOW. 2 Sheets—Sheet 2. MECHANICAL TELEPHONE. No. 314,946. Patented Mar. 31, 1885.



WITNESSES: *Wm. Campbell* *Edward C. Ellis* INVENTOR: *Freeman C. Ludlow* BY: *O. B. Quiff* ATTORNEY

Assigned to Freeman Ludlow (No Model.) A. B. KURTZ. 2 Sheets—Sheet 1. MECHANICAL TELEPHONE. No. 298,479. Patented May 13, 1884.



Witnesses: *Ed. Hill* *W. W. Clamborn* INVENTOR: *A. B. Kurtz* BY: *Wm. Hubbell Fisher* ATTORNEY