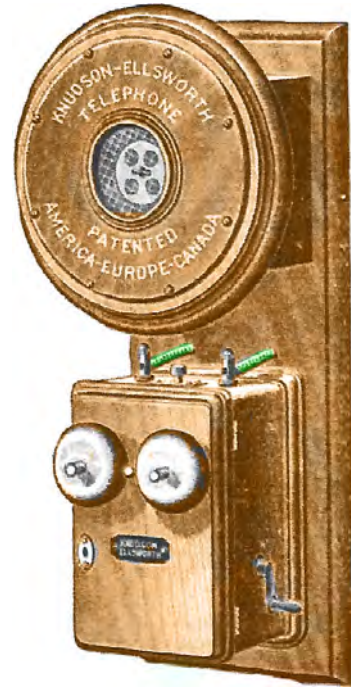


HISTORICAL FACT SHEET Telephone Industry Related Companies



COMPANY Knudson & Ellsworth Company

DATE ORGANIZED 1886

WHERE ORGANIZED New York, NY

FOUNDER(S) A.A. Knudson, T.G. Ellsworth

NATURE OF BUSINESS Manufacturer (Acoustical)

Subsequent names or significant changes resulting from acquisitions, consolidation, sales or bankruptcies:

DATE

REMARKS Both Knudson and Ellsworth held telephone patents as early as 1880.

Mr. Knudson held a patent on an acoustical telephone and Mr. Ellsworth on a telephone switchboard.

Source: Electrical Engineer 1886; Electrical Review, 1886; Mfg & Business Mag, 1889



Best Short Line Telephone.

Well adapted for private lines or for speaking tube purposes in manufactories, connecting foremen with office, residence with stable, etc. Send stamp for illustrated catalogue. All kinds of Electrical Goods at lowest market prices. Police, Fire Alarm, District Messenger Systems, and Electric Light Plants, for Cities and Towns.

KNUDSON & ELLSWORTH,
39 Nassau Street, New York.



THE
KNUDSON - ELLSWORTH
SHORT-LINE
Telephone.

—)o(—
Handsome! Cheap! Useful!
—)o(—

Contains a diaphragm of the highest resonance and durability.
Patent line wire and other improvements.

Telephones sold or leased in unoccupied territory.

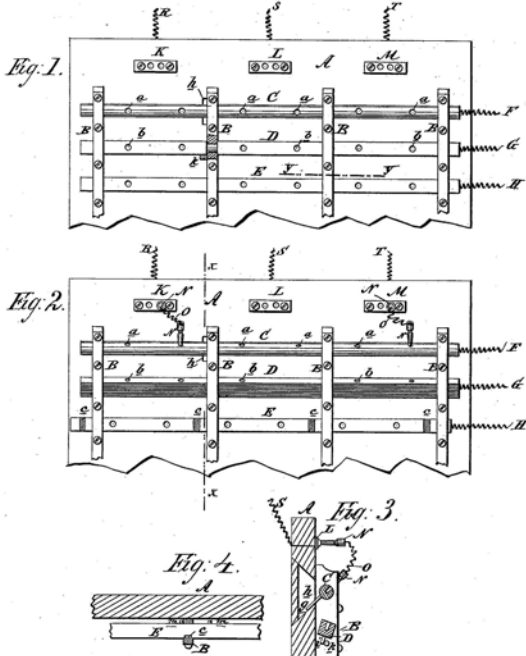
Parties of responsibility desiring to act as Agents for placing our Telephone in territory not already taken, will be accommodated on liberal terms.

Send stamp for Illustrated Catalogue.

KNUDSON & ELLSWORTH,
39 NASSAU ST., N. Y.

T. G. ELLSWORTH.
Telephone-Switch Boards.

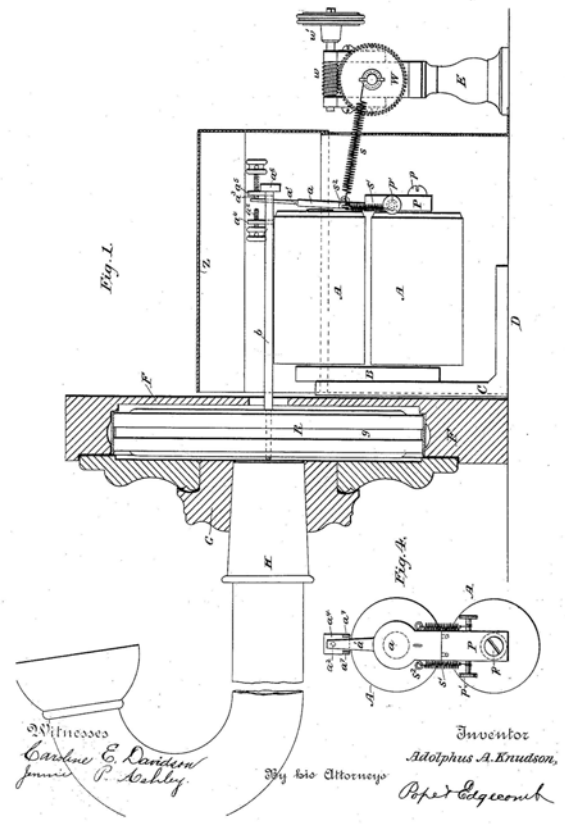
No. 226,991. Patented April 27, 1880.



WITNESSES:
A. Schehl
L. Sulzinger

INVENTOR:
T. G. Ellsworth
BY *Wm. H. Mum*
ATTORNEYS.

(No Model.) 2 Sheets—Sheet 1.
A. A. KNUDSON.
ELECTRO ACOUSTIC APPARATUS.
No. 360,308. Patented Mar. 29, 1887.



Witnesses
Charles E. Knudson
James P. Ashby

Inventor
Adolphus A. Knudson
By his Attorneys
Robert Edgeworth