

HISTORICAL FACT SHEET Telephone Industry Related Companies



COMPANY Homer Roberts Electric Company

DATE ORGANIZED 1906

WHERE ORGANIZED Chicago, IL

FOUNDER(S) Homer J. Roberts

NATURE OF BUSINESS Manufacturer

Subsequent names or significant changes resulting from acquisitions, consolidation, sales or bankruptcies:

DATE

Name changed to Homer Roberts Telephone Company

1912

REMARKS Homer Roberts held six telephone patents, one being on a ringer.

Very little information can be located about this company

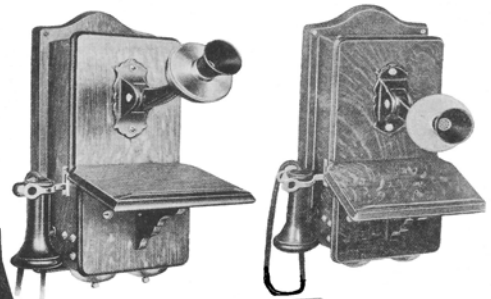
Source: Telephony Mag 1907, 1908, 1916



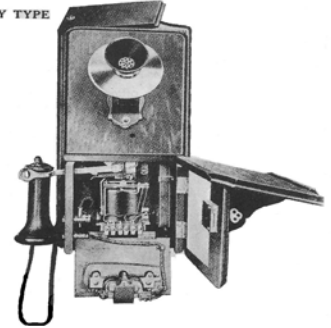
Homer Roberts Co.
1703 Melrose St.
Chicago, Ill.



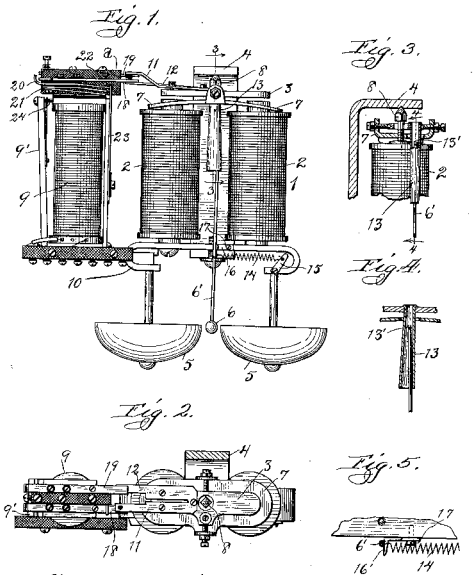
LOCK-OUT DESK SET



LOCAL BATTERY TYPE



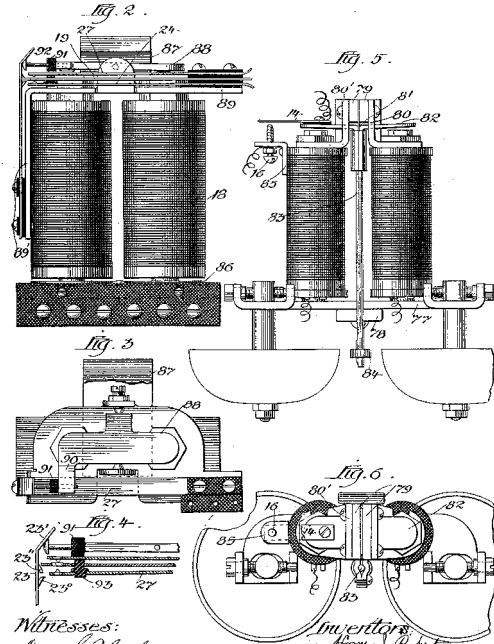
H. J. ROBERTS.
ENGINEER FOR TELEPHONES, ETC.
APPLICATION FILED MAY 27, 1912.
1,037,537.
Patented Sept. 3, 1912.



Witnesses:
R. J. Jaehrs.
Emile Ross

Inventor:
Homer J. Roberts
By Albert N. Graves

H. J. ROBERTS, C. A. SOANS & A. H. GRAVES.
PARTY LINE TELEPHONE SYSTEM.
APPLICATION FILED JAN. 8, 1907.
926,510.
Patented June 29, 1909.
2 SHEETS—SHEET 1.



Witnesses:
Frank Blanchard
Frank L. Delthrop

Inventors:
Homer J. Roberts
C. A. Soans
A. H. Graves
By Albert N. Graves

“ROBERTS” AND WHAT IT MEANS

6 The Roberts System offers the following strong advantages: Selective Ringing, Private Service, Complete Automatic Supervision, No Interference, Best of Transmission, No Need to Signal Twice, Impartial Service, Emergency Signal, Operator Controls the Line, Trouble Located by the Operator, Ideal Toll Line Service on Party Lines, and vice versa, Reduced Costs, Increased Revenues, Etc., and adaptability to any existing local battery exchange.

Central Controls

The operator completely controls the line—at all times and under all circumstances—in spite of anything that any subscriber may do. She can give talking connection to any subscriber and take it away from him with equal facility—take the line away from one and bestow it on another at will. She may place two subscribers on the same line in talking connection with each other, one on each side of the subscriber from whom the line has just been taken, and the latter will be absolutely locked out. The “line hog” and similar nuisances can be effectively controlled. No subscriber can hold the line to the detriment of the service nor against the Emergency Signal. The three minute rule can be rigidly enforced.

Better send for Bulletins which go into details.

HOMER ROBERTS TELEPHONE CO.
1700 Melrose St. Chicago