

HISTORICAL FACT SHEET Telephone Industry Related Companies



COMPANY Gray Telephone Pay Station Company

DATE ORGANIZED 1891

WHERE ORGANIZED Hartford, CT

FOUNDER(S) William Gray (Supt), Amos Whitney (Pres)

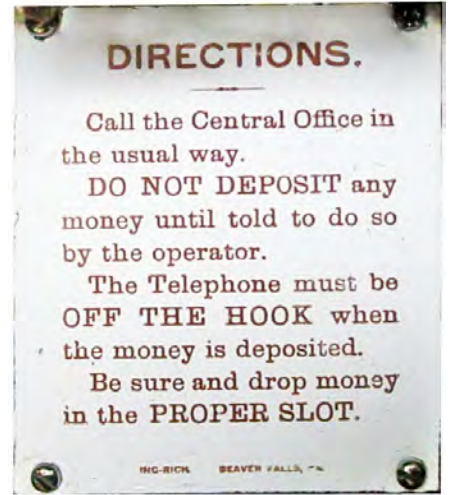
NATURE OF BUSINESS Manufacturer

Subsequent names or significant changes resulting from acquisitions, consolidation, sales or bankruptcies:

	DATE
Joint venture with Western Electric to produce 50A series 3 slot phones	1910
Name changed to Gray Manufacturing Company	1939
Automatic Electric purchased controlling stock in the company	1945
Acquired Faraday, Inc a signals & systems company	1963
Company went out of business	1976

REMARKS A young Wlm Gray was working as a machinist in Hartford for the Pratt & Whitney Mfg. Co. Williams wife fell critically ill and William ran to a nearby factory to ask the manager if he could use their phone to call a doctor. The manager said the phone was not for public use. Later William had an idea and the need for public payn telephones. Amos Whitney of the Pratt & Whitney Co became the financial backer for William Gray to start the Gary Telephone Pay Station Company in 1891

Source: American Telephone Journal, 1902; Modern Machanix (William Gray's Pay Telephone 1953



Silver Dollar Gray #2

Silver Dollar Gray #3

Silver Dollar Metal



GRAY TELEPHONE PAY STATIONS

Number 4 DESK SET AUTOMATIC



GRAY TELEPHONE PAY STATIONS

GRAY PAY STATIONS ON AUTOMATIC SYSTEMS



This Number 101 station can be fastened to a shelf in booth, making a very compact arrangement, or it can be used portable for show-case service.

Number 101 Pay Station
Price \$10.50

The Number 100 is attached to the wall type telephone by means of a plate, which is included with each station.

Number 100
Pay Station
Price \$8.00



(No Model.)

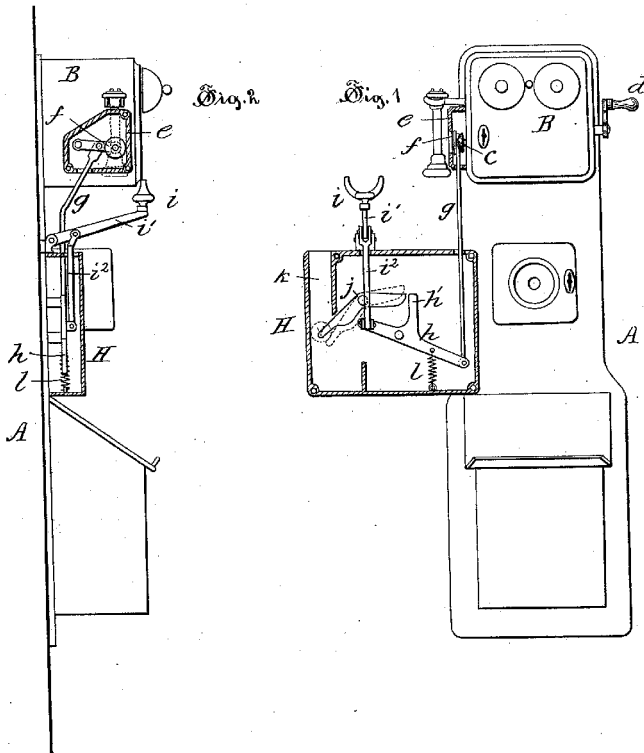
W. GRAY.

2 Sheets—Sheet 1.

COIN CONTROLLED APPARATUS FOR TELEPHONES.

No. 408,709.

Patented Aug. 13, 1889.



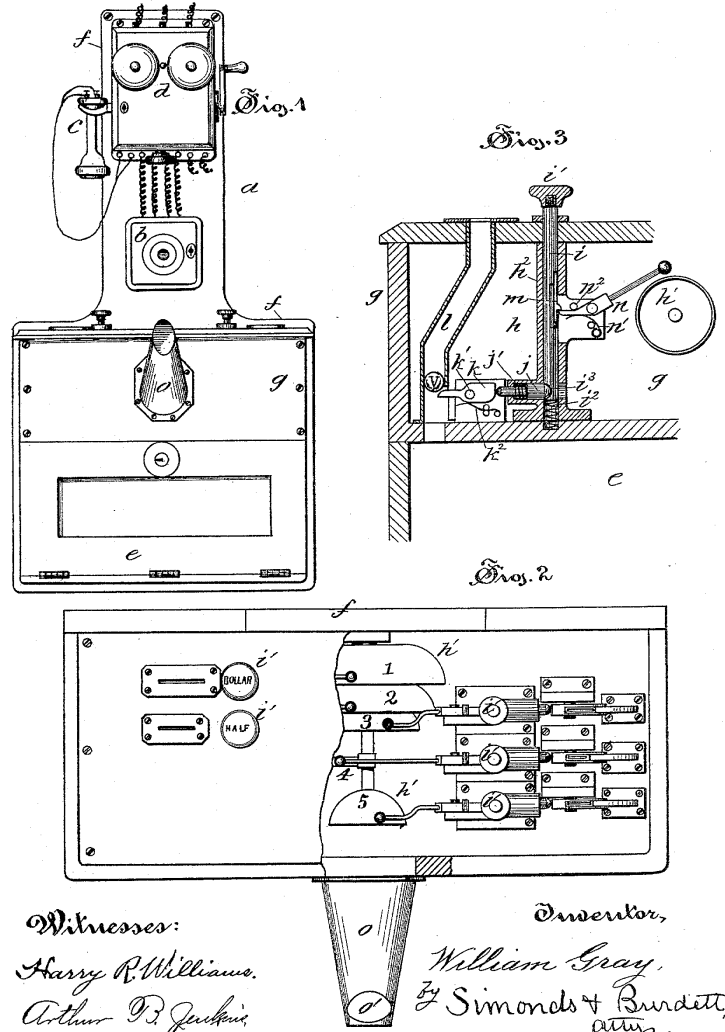
(No Model.)

W. GRAY.

COIN CONTROLLED APPARATUS FOR TELEPHONES.

No. 597,556.

Patented Jan. 18, 1898.



Witnesses:

Harry R. Williams
Arthur D. Jenkins

Inventor,

William Gray
By Simonds & Burdett,
attys.

Witnesses:
Harry R. Williams
Arthur D. Jenkins

Inventor,

William Gray
By Simonds & Burdett,
attys.