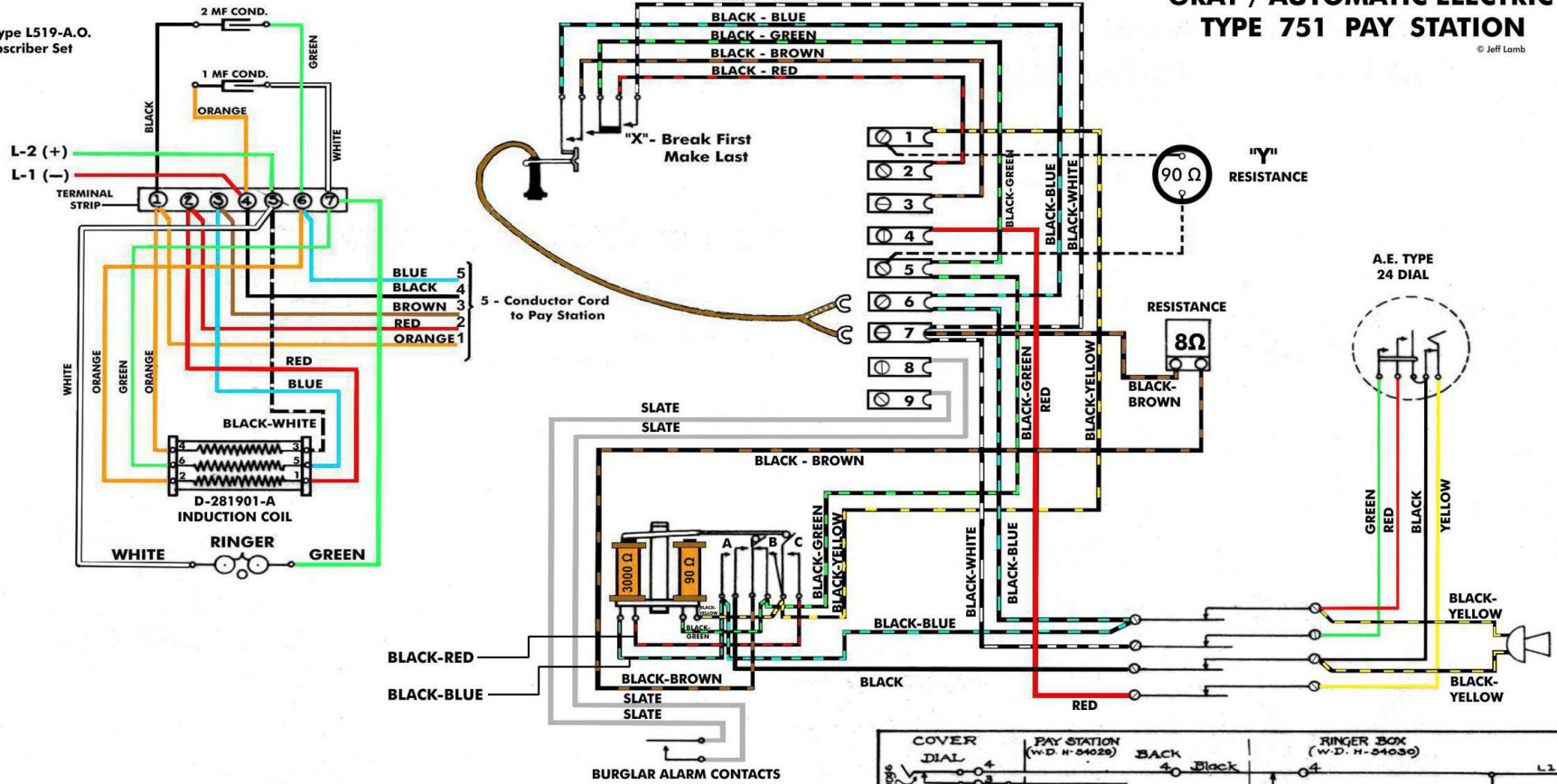


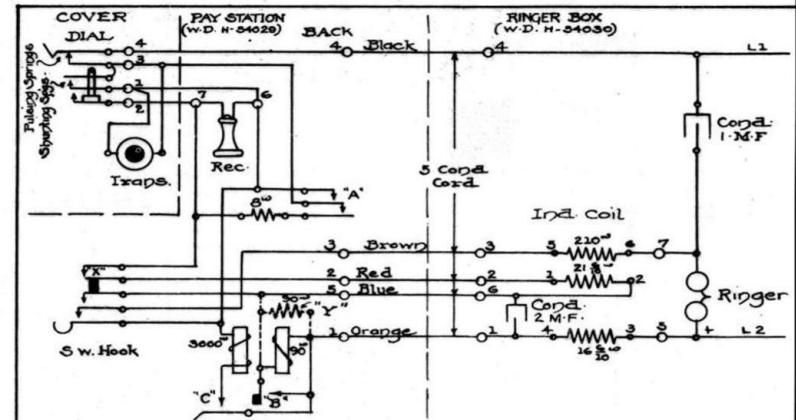
GRAY / AUTOMATIC ELECTRIC TYPE 751 PAY STATION

© Jeff Lomb

A.E. Type L519-A.O.
Subscriber Set



- NOTES :**
1. When no dial is used, connect terminal 3 to terminal 4.
 2. Coin Collector : "A" Spring Assembly : "A" & "C" are operated by 90 Ω Electro-magnet.
 - : "B" Spring Assembly : "A" is restored and assembly "B" operated when coin is deposited.
 - : "C" - All spring assemblies restored by 9000 Ω electro-magnet.
 3. When line resistance exceeds 225Ω, remove 90Ω resistance coil "Y".
 4. If bells tap when dialing, reverse ringer connections at terminals 5 & 7. If necessary, adjust tension of bias spring to hold armature against core, but not enough to interfere with ringing.
 5. Clearance between clapper and bell to be approximately .008".



† 751 PAY STATION
WITH CONNECTIONS TO # 519 A.O. SUB. SET