

HISTORICAL FACT SHEET Telephone Industry Related Companies



COMPANY Gemmill Telephone & Manufacturing Co

DATE ORGANIZED 1903

WHERE ORGANIZED Cleveland, OH

FOUNDER(S) James Gemmill, Thomas Dunlap,
James Nicoll, L.R. Duncan

NATURE OF BUSINESS Manufacturer

Subsequent names or significant changes resulting from
acquisitions, consolidation, sales or bankruptcies:

DATE

Mr. Gemmill filed patent for Auto Annunciator Restorer 1902

Began to build factory in Orrville, OH 1904

Mr. Gemmill sold his stock in the company 1905

Company name changed to United Telephone & Switchboard Co. 1905

United's factory burned late 1905

United went into court ordered receivership late 1906

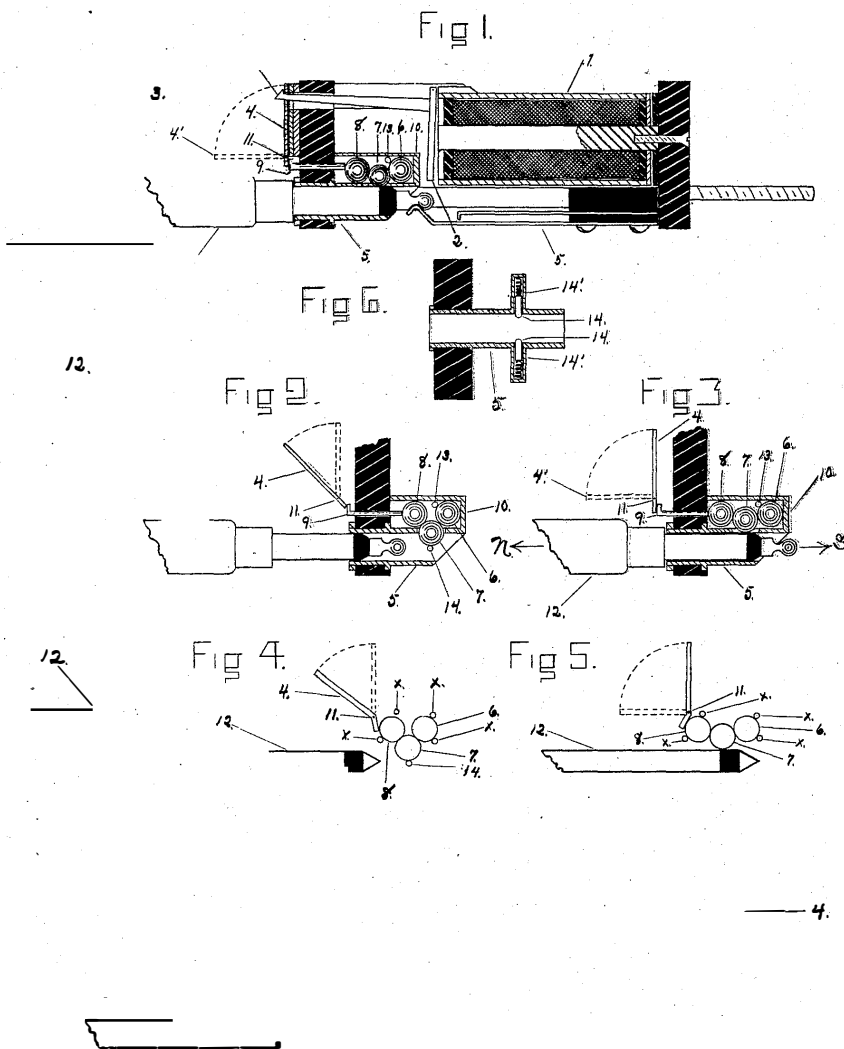
REMARKS _____

Source: American Telephone Journal 1905; Telephony 1905

No. 787,507.

PATENTED APR. 18, 1905.

J. I. GEMMILL.
AUTOMATIC ANNUNCIATOR RESTORER.
APPLICATION FILED DEC. 22, 1902.



WITNESSES:
James R. Gemmill (Sr.)
Leta M. Gemmill

James Irvine Gemmill INVENTOR