

HISTORICAL FACT SHEET Telephone Industry Related Companies



COMPANY Egan Electric & Telephone Manufacturing Company

DATE ORGANIZED 1905

WHERE ORGANIZED Petersburg, IL

FOUNDER(S) Charles E. Egan

NATURE OF BUSINESS Manufacturer

Subsequent names or significant changes resulting from acquisitions, consolidation, sales or bankruptcies:

Began as Egan Electrical Manufacturing

DATE
1887

Mr. Egan started manufacturing common battery telephones
for small telephone exchanges

1905

REMARKS _____

Source: Electrical Journal, 1887, American Journal, 1900, Telephony, 1905

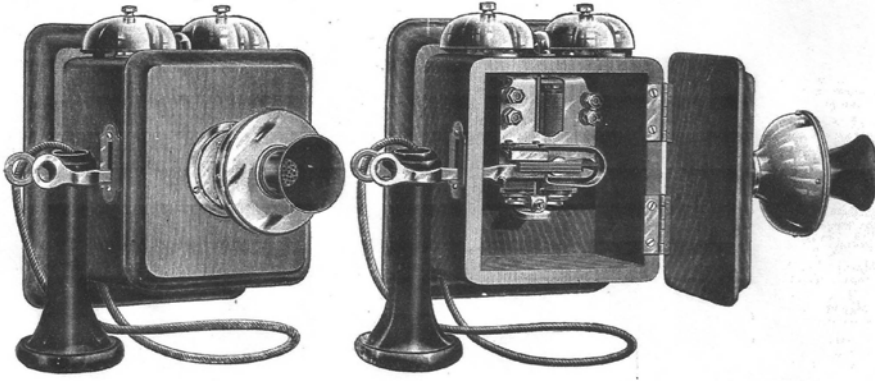


FIG. 1.

FIG. 2.

No. 801,780.

PATENTED OCT. 10, 1905.

C. E. EGAN.
TELEPHONIC APPARATUS.
APPLICATION FILED AUG. 16, 1905.

2 SHEETS--SHEET 1.

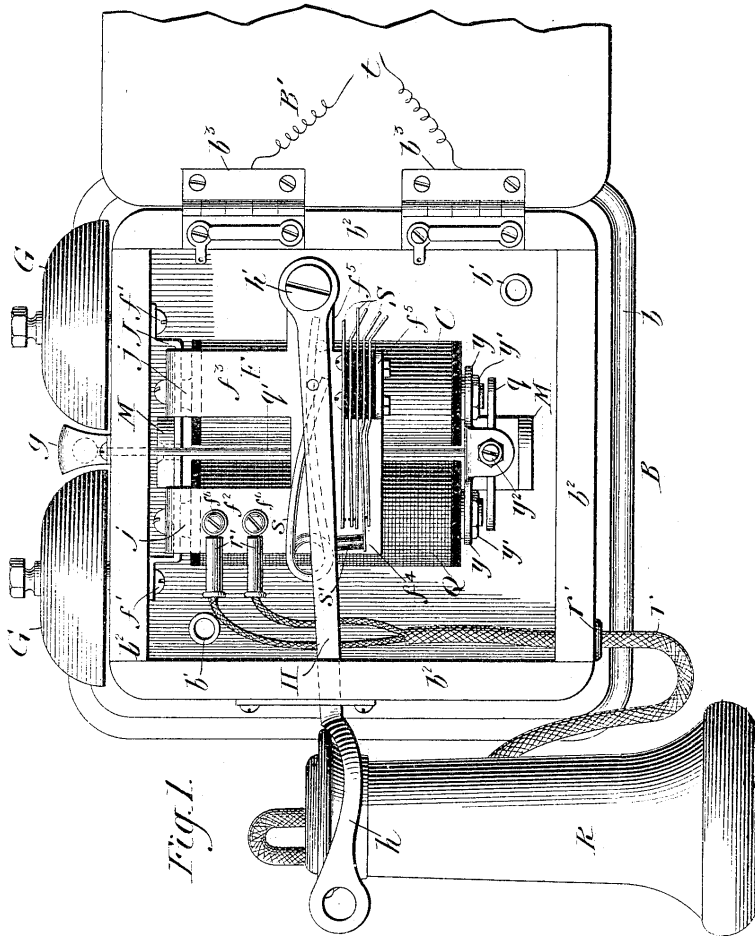


Fig. 1.

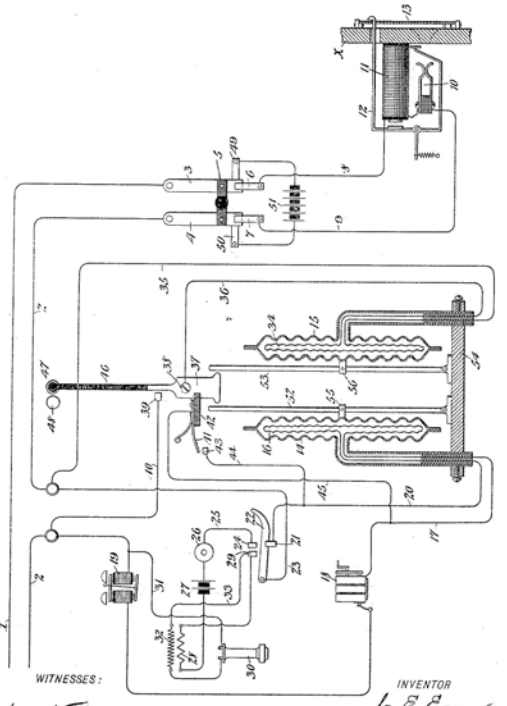
Witnesses:
D. W. Edelin.
Charles C. Stauchff.

Inventor:
Charles E. Egan
by Edward C. Clement
att.

No. 801,778.

PATENTED OCT. 10, 1905.

C. E. EGAN.
TELEPHONE SYSTEM.
APPLICATION FILED SEPT. 26, 1904.



WITNESSES:

Edward Thorpe.
R. Ferguson

INVENTOR
C. E. Egan
BY
James H. Morr
ATTORNEYS

No. 801,779.

PATENTED OCT. 10, 1905.

C. E. EGAN.
TELEPHONE SYSTEM AND APPARATUS.
APPLICATION FILED SEPT. 29, 1904.

2 SHEETS--SHEET 2.

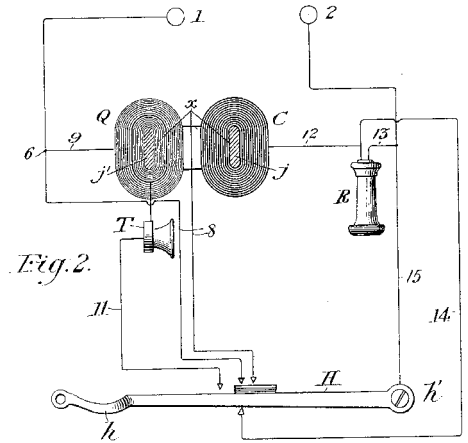
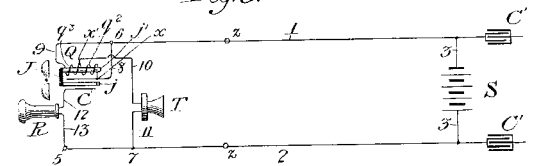


Fig. 2.

Fig. 3.



Witnesses:
D. W. Edelin.
James H. Morr.

Fig. 3^a
INVENTOR
Charles E. Egan
BY
Edward C. Clement
att.