

HISTORICAL FACT SHEET Telephone Industry Related Companies



COMPANY aThe Consolidated Telephone Company

DATE ORGANIZED 1885

WHERE ORGANIZED New York, NY

FOUNDER(S) G.F. Shaver, Edward Bell, R.T.P Fiske

NATURE OF BUSINESS Manufacturer (Acoustic Telephone)

Subsequent names or significant changes resulting from acquisitions, consolidation, sales or bankruptcies:

DATE

Company moved from NYC to Jersey City, NJ

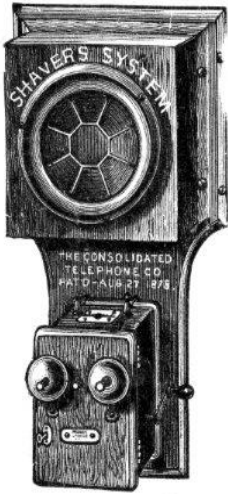
1886

REMARKS George Shaver patented an acoustic telephone and assigned the patent to the Consolidated Telephone Company where he was the President.

Source: Official Railway List, 1886; Telephone Journal, 1889

AT LAST! AT LAST!

A Perfectly Reliable Acoustic Telephone.



A TELEPHONE THAT WILL WORK WELL OVER ANY ROUTE, REGARDLESS OF ANGLES.

A TELEPHONE THAT WILL WORK WELL IN ALL KINDS OF WEATHER, WIND OR RAIN.

A TELEPHONE THAT DOES NOT ROAR WHEN THE WIND BLOWS.

A TELEPHONE THAT WILL ADMIT OF SEVERAL INSTRUMENTS UPON THE SAME TRUNK LINE.

An Acoustic Telephone Central Office,

Adapted to switch one line with another, similar in effect to the electric system. This is attained by the SHAVER SYSTEM, and its practical utility demonstrated by its use by over 150 bona fide subscribers in New York City, who are paying rentals of \$2 to \$8 per month for the service.

TELEPHONES sold outright or rented in unoccupied territory. Send stamp for list of users and testimonials. It will pay you to investigate the truth of these statements, and secure an agency. Liberal discounts to agents, and satisfaction guaranteed or money returned. References.

To rapidly introduce our goods, we will, for the first time in any town, give a discount of sixty per cent. from our regular retail prices for Telephones, as given below, providing the purchaser will endeavor to secure us a reliable agent.

Retail prices Telephones each.....	\$10.00
Magneto Call Bells (not necessary).....	6.00
Wire per 100 feet.....	.25
Hangers for right angles.....	.25
Ordinary supports.....	.10

The SHAVER SYSTEM of Telephony has been in use by many business houses in this city for the past two years, gives universal satisfaction, and we cheerfully recommend it to those desiring such service. —FRANK LESLIE'S PUBLISHING HOUSE.

THE CONSOLIDATED TELEPHONE CO.,
Jersey City, N. J.

A PERFECTLY RELIABLE ACOUSTIC TELEPHONE.

TESTIMONIALS WHICH MEAN SOMETHING:
When Such Men as these allow us to Publish their Letters No one can longer doubt that we have a Reliable Telephone System.

LEHIGH VALLEY RAILROAD COMPANY,
GENERAL OFFICE TELEGRAPH DEPARTMENT, MATCH CREEK, Pa., Dec. 14, 1885.
J. F. SHAVER, Pres. of Consolidated Telephone Co., Jersey City, N. J.
DEAR SIR: Prior to my acquaintance with the "Shaver System" of acoustic telephones, I regarded everything in the way of "non-electric" telephones with great disfavor. I thought them all worthless, money making devices. These views have from necessity been completely reversed by my experience with your system. We now have 11 of your instruments in use along the line of the road and have thus been able to remove eight sets of Bell telephones. These lines are used in the regular run of business, heavy car numbers, weights, amounts of money and messages of all descriptions are daily transmitted and received over them, irrespective of moving trains, blowing whistles, running machinery, etc., just the same as Bell telephones are used under the same conditions. I have no hesitation in recommending your instrument for all short lines.
J. W. LATIG, Superintendent Telegraph.
We have similar testimonials from the following Superintendents of telegraph: W. J. Holmes, N. Y. L. E. & W. R. N. New York; M. B. Leonard, C. & O. Richmond, Va.; Wm. Kliss, L. S. & M. S. Toledo, O.; W. Blinger, division operator, Penn. R. Jersey City, N. J.



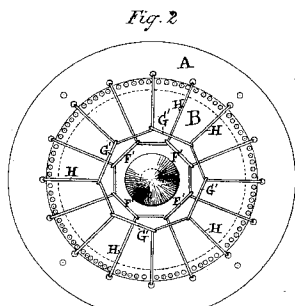
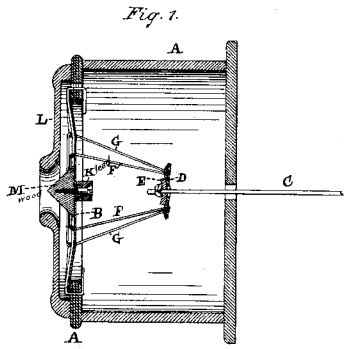
TO THOSE THINKING OF INTRODUCING OUR SYSTEM FOR PROFIT.
We have been operating the Shaver Telephone system in this city for two years upon a rental basis varying from \$2 to \$8 per month. We now have in use over 400 Shaver Telephones, and are building 10 new lines per month. The longest line in the city is one mile, and outside we have built one 1 1/2 miles, successfully connecting Spring Valley and Manas, N. Y. We have several trunk lines, one of a half mile crossing Gramercy Park, with two branch lines, and four telephones connected. One lifespan suffices for repairs. The recent heavy snow and ice storms resulted in but four complaints from our subscribers. Crossing our wires does not stop their working, and hauling electric cables over them does not get them out of order. In short, technically and financially they are a success. We will cheerfully give anyone bearing your letter of introduction the facts regarding the cost of building, maintenance, etc.
Respectfully,
Gen. Man. N. Y. & N. E. Tel. Co. Losses of the C. T. Co., 17 Broadway, N. Y.

We will send a PAIR OF TELEPHONES on trial to any railway electric light or telephone company or retail dealer who can send us bank guarantee that the goods will be paid for when proven to be as represented herein.
Address:

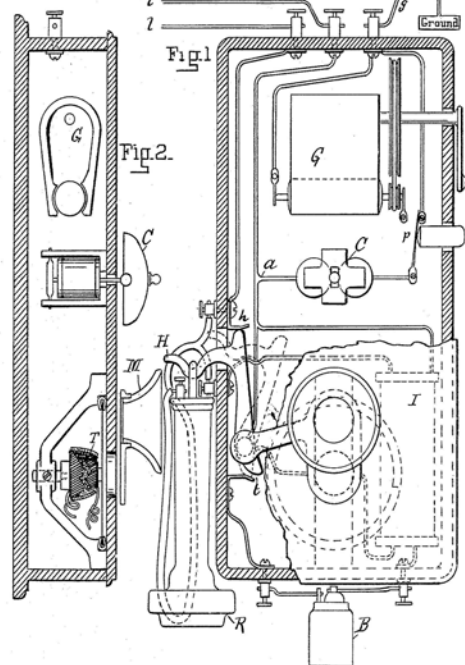
THE CONSOLIDATED TELEPHONE COMPANY, Corner Cortlandt and Greenwich Sts., NEW YORK.



(No Model.)
G. F. SHAVER.
MECHANICAL TELEPHONE.
No. 342,395. Patented May 25, 1886.

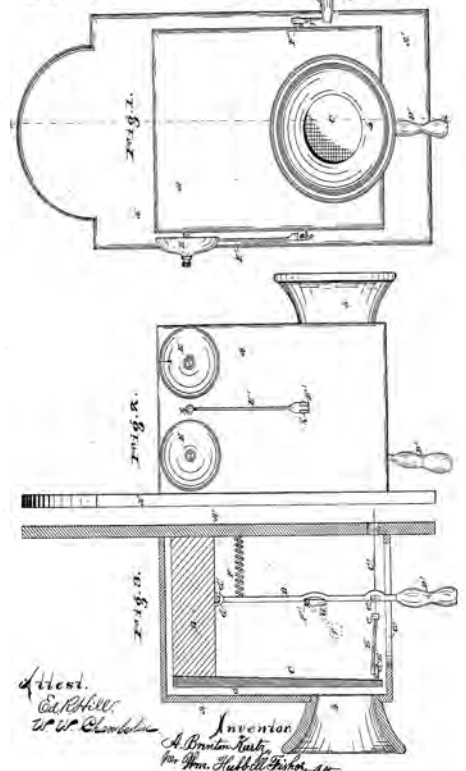


(No Model.)
G. F. SHAVER.
TELEPHONE.
No. 545,416. Patented Aug. 27, 1895.



Witnesses:
Cammell H. Barck
Hight W. Whitman
Inventor:
George F. Shaver.
By Thomas Ewing, Jr.,
Attorney.

(No Model.)
Assigned to Consolidated Telephone Co.
A. B. KURTZ.
MECHANICAL TELEPHONE.
No. 298,479. Patented May 13, 1884.



Witnesses:
Earl Hiller
W. P. Clowder
Inventor:
A. B. Kurtz,
for Am. Mach. & Tool Works, etc.

Witnesses:
Thomas
J. Frankles

Inventor:
George F. Shaver
by C. W. W. Bates
Attorney