

ATCA
P.O. Box 1252
McPherson, KS 67460

Chartered
1971

AN INTERNATIONAL
ORGANIZATION ASSOCIATED
WITH THE MUSEUM OF
INDEPENDENT TELEPHONY OF
ABILENE, KANSAS
620-245-9555

Official ATCA Web Page: <http://www.atcaonline.com>

VOLUME 40, NUMBER 5

NEWSLETTER

MAY 2010

Check our website at www.atcaonline.com

Address change?? Send it to: ATCA, P O Box 1252, McPherson, KS 67460

Send all ads to: ATCA, PO Box 910, New Castle, IN 47362 Email ads to j.huckeby@comcast.net

But I am not selling.....

One of the most common questions about ATCA shows is, "I do not need any tables. I am only coming to buy so why do I have to pay the registration fee."

I could answer that it is to buy donuts for Mike Davis, but that would not be accurate.

Inns do not just give us setup space and tables to just have us come to their hotel. We have to pay them a fee for the tables, the set-up room, coffee, etc. Sometimes contracts with venues may say something is free, but nothing really is.... the cost is figured in somewhere.

The Farmstead Inn is different from most that I have been involved in over the years. At the Farmstead, they allow me to purchase donuts off site and bring them in for the members. I choose to purchase them at the Rise & Roll Bakery, a very nice Amish bakery just outside of Shipshewana. Most hotels will furnish donuts at a cost of around \$30 a dozen and coffee at \$20 and up a gallon. The donuts at the bakery cost me about a dollar each and the coffee is available all day and only adds about a hundred dollars to the cost of the set-up room.

The food we will have on Friday evening actually costs us \$14.75 a person, not counting the fresh baked Amish pies. We charge \$15 per person so you can see how much we actually make there.

We have had some shows that we have spent 500 to 800 on advertising and the money spent has only brought in a few people. The advantage we have at Shipshewana is the Auction Barn and Antique Gallery spends thousands of dollars on advertising the Antique Show that will be on the grounds outside our set up room and we get to take advantage of that with no additional cost to us. There are several hundred outside dealer setups at the Shipshewana Flea Market and Auction each Tuesday and Wednesday. There are thousands of buyers who come each week looking for bargains. These buyers are told of the show all summer long and many will be here for the August 6 and 7 show.

We have collectors who have registered for this show that I have not seen in years. Many states including CA, OR, UT, NY, FL, etc., will be represented. Looking forward to seeing you there.

If you have always wanted to see Phoneco.....

Ron and Mary would like to invite all of us to their 50th Wedding Anniversary Party June 19th, 12-6 at the Mill Road Banquet Hall, Galesville, WI (this is located just 2 blocks from the Phoneco Building) There will be lunch and Old-Time polka music by ***The Rythum Playboys***. No Gifts



If you need any reproduction parts, drop Ron and Mary a note and they will have your needs at the Shipshewana, IN show.

Shipshewana, IN Farmstead Inn August 6,7, 2010

OUR BLOCK OF ROOMS ARE SOLD OUT...Call 260-768-4595 to reserve one of the few extra rooms the hotel has given us.

The show agenda is as follows:

Friday August 6	6 PM	plenty of food
Friday August 6	8 PM	show opens... set-up and dealing
Saturday	August 7	Show opens at 8 AM
Saturday	August 7	2 PM Auction

**Antique Telephone
Collectors Association
Since 1971**

Board Chairman

Mike Davis
mvtel@verizon.net
Levittown, NY
516-735-9765

Board Members

Roy Basci
Brooklyn, NY
call380@msn.com
718-331-3102

John Infurna
Phoenix, AZ
infurnaj@juno.com
623-849-4907

Jim Engle
Highland Heights, KY
seeyouclearly@aol.com
859-512-8706

Bill Provencher
Barre, VT
802-476-7189

Jeremy Walters
Vallejo, CA
jeremy.walters@sbcglobal.net

President

Jay Neale
North Garden, VA
red.canoe@yahoo.com
434-295-3376

Vice-President

Bennett Young
Molina, CO
bhyoung68@acsol.net
970-268-5605

Secretary-Treasurer

Cindy Goldsmith
McPherson, KS
office@atcaonline.com

Listserv Manager

Chuck Eby
webmaster@atcaonline.com

Editor

John Huckeby
765-686-0189
j.huckeby@comcast.net
editor@atcaonline.com

**IMPORTANT
FOR ONLY A FEW**

For those of you who may spend part of the year at a different address, maybe winter in warmer climates or whatever it may be, could you please notify the office as to your address change each time. Currently, the newsletters are not able to be forwarded, so they come back to the office and we pay double postage and then I have to hand address them back to you. SO, it would be very helpful if you notify me of all your address changes OR you can always go into your profile on the website and edit it yourself. **Thanks so much for your help!**

**New Members
continued**

Byron J. Abbott, 4513
Address: 182 Iris Lane, Danville
VA 24540 U.S.A.
1(434)441-6200
byron.abbott@pittgov.org

Tom Nugent, 4514
1999 Columbus St, Ottawa
IL 61350 USA
815-579-9687
tnugent@ivnet.com

RENEWALS

Rod Phillips
PO Box 684, Bryn Mawr, PA 19010
215-806-3778
stormfax@ix.netcom.com

James Paycheck
958 Creekside Drive, Tonawanda, NY
14150
Phone: 716-695-5993
L17ajp@verizon.net

NEW MEMBERS

James Schultz, 4508
654 Knoll Avenue
Penndel, PA 19047
215-253-9584

Richard Norton, 4509
2909 Washington St.
Commerce, TX 75428-3845
w5fro@yahoo.com

Richard Gaudreault, 4510
5180 Du Louvre,
Trois-Rivieres, G9A 5S3
Quebec, Canada
819-373-2538 (french)
rgaudrea@bell.net

Neil Stratton, 4511
PO Box 186
Ladora, IA 52251

Peter Leonard, 4512
Address: PO Box 525
Montacute South Australia
N/A 5134 Australia
+61 419 036 213
peter@lencom.com.au

RENEWALS

Thomas M. Raney #2190
212 Harned Avenue
Washington, Indiana 47501-
3530
812-254-6447
tomraney@att.net

Peter Blanshard
1212 Morningside Dr., Ann
Arbor, MI 48103 Washtenaw
734-730-9925

Keith Cheshire
115 Pleasant Dr, East Palatka,
FL 32131 USA
386-328-3210 (home)
phonefeline41@yahoo.com

Harold T. Long
Address: 2306 Lakeview
Drive, Yardley, PA 19067
USA
Phone: 2154934962
Email: hlong2306@aol.com

Fred Coady
60 Erindale Crescent, Brampton
N/A L6W1B5 Ontario, Canada
905-459-5263
fred_lawco@yahoo.ca

Gregory Russell, 306
22 Briarwood Drive
Gilberts, IL 60136
847-380-0346
parashuut@sbcglobal.net

RM Watson, 1472
3039 Modoc
Stockton, CA 95204

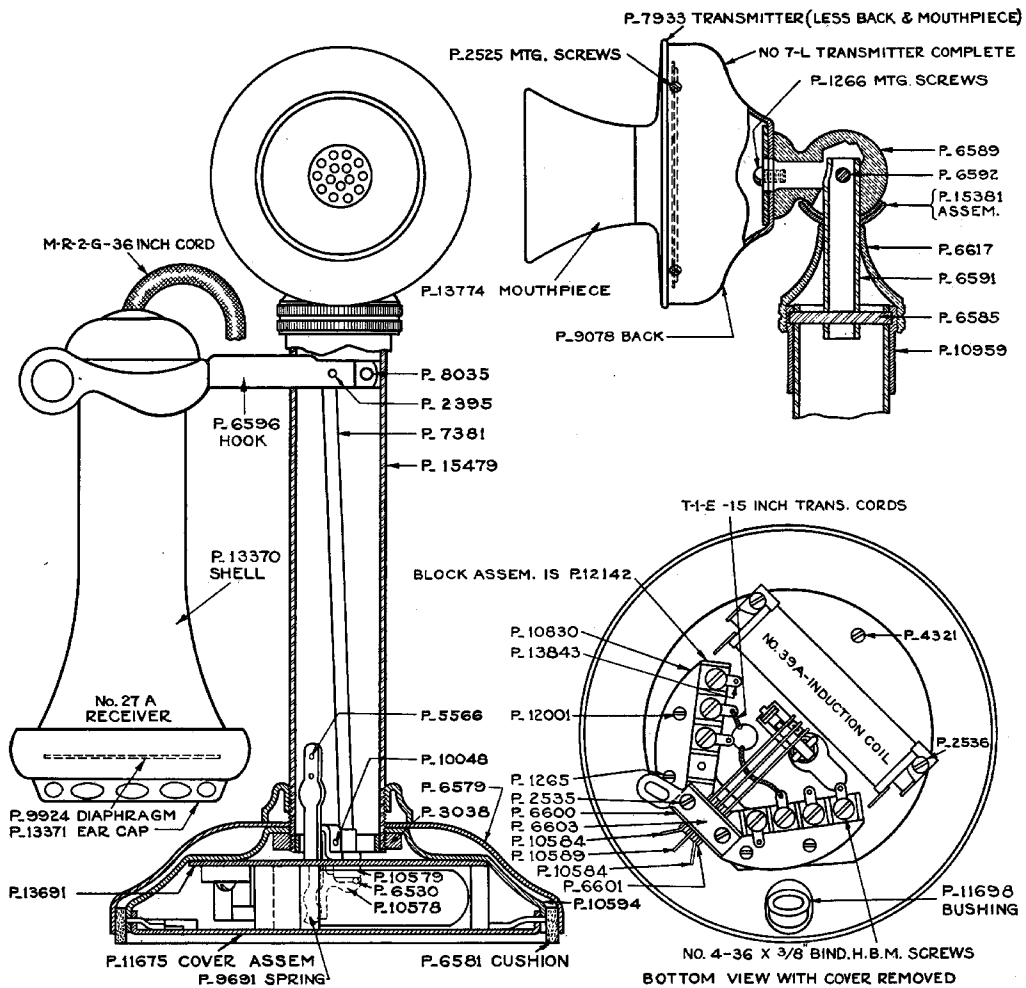
***If you are not already
aware, just wanted to
let you know of a few
members who I just
found out have passed
away.***

***Wesley Smith, #476
Gary Stathatos #3733
Rogers Kaufman,
#1003
Foster Hiers, #1368***

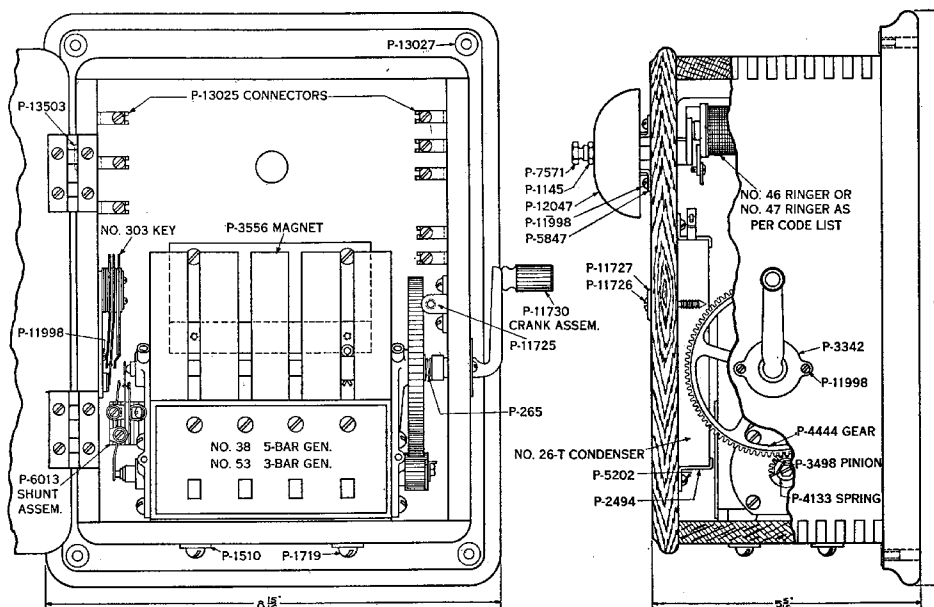
EDUCATIONAL

ATCA 2009 QUARTERLY FINANCIAL REPORT

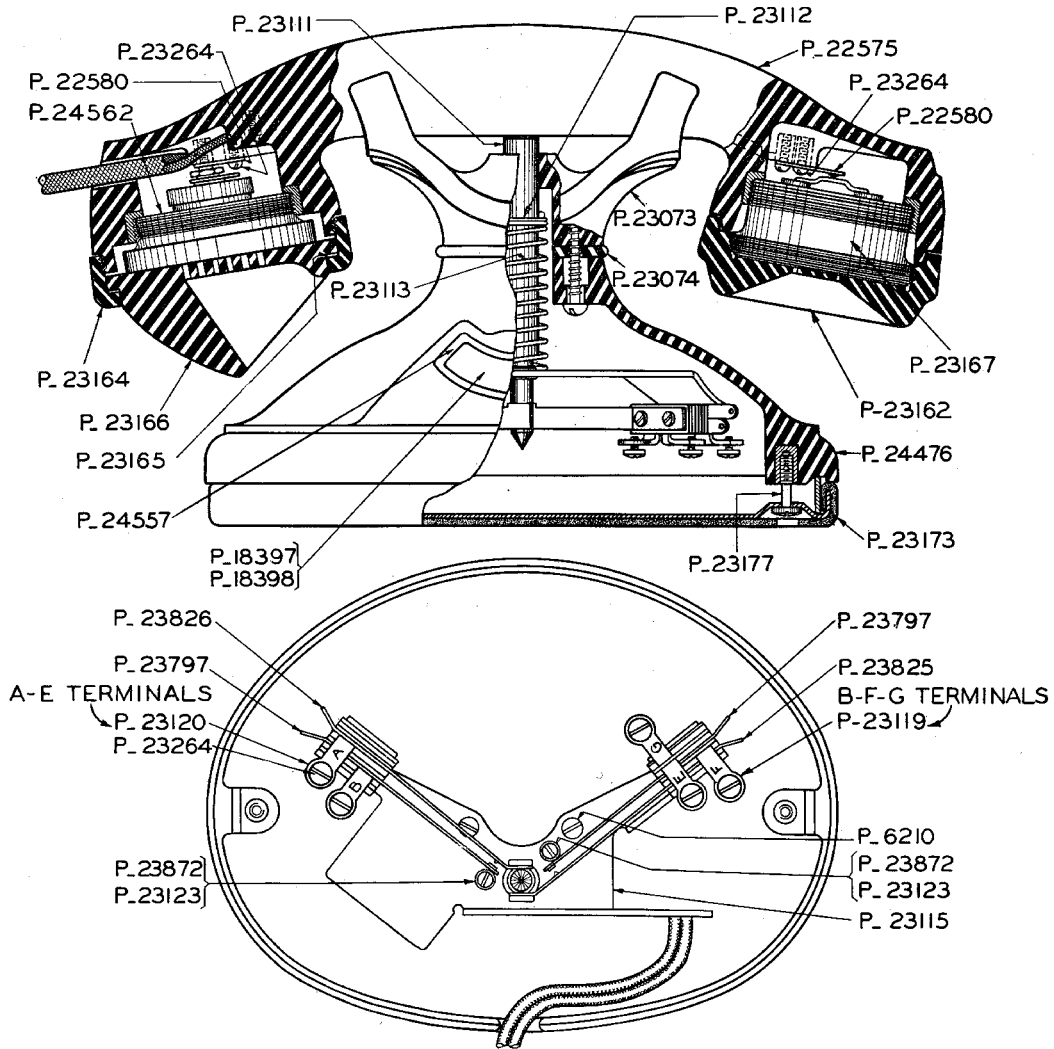
	1st Quarter	2nd Quarter	3rd Quarter	4th Quarter	TOTALS
INCOME:					
New Members	791.62	323.94	213.53	717.49	2,046.58
Spousal Members	40.00			188.18	228.18
Renewals	9,158.95	458.40	102.36	19,574.76	29294.47
Donations	65.00			754.55	819.55
Spring Show	0.00				
National Show	2550.00	1050.00	3,672.00	30.00	7,302.00
Regional Show	0.00				
Miscellaneous	0.00		239.95*	350.00	589.95
TOTAL:	12605.57	1832.34	4,227.84	21,614.98	40,280.73
EXPENSES:					
Newsletter					
printing	2,212.93	2,772.61	739.78	2,394.30	8,119.62
postage	2,037.57	1,498.46	1,170.03	570.46	5,276.52
contract labor	405.00	405.00	405.00	405.00	1,620.00
Salaries	2,757.90	2,898.90	2,898.90	2,898.90	11,454.60
Telephone	215.78	328.01	348.33	345.28	1,237.40
Printing&Copies	621.45	0.00	34.60	395.44	1,051.49
Office Supplies	0.00	39.24	0.00	0.00	39.24
Postage	104.58	109.56	107.00	65.17	386.31
Internet Fees	185.00	135.00	135.00	135.00	590.00
Teleconferencing	84.91	71.78	59.97	98.29	314.95
Accting Services	50.00	280.00	50.00	50.00	430.00
Taxes(SS&W/H)	901.64	739.64	601.63	661.62	2,904.53
Spring Show	0.00	0.00	0.00	0.00	0.00
National Show	500.00	1,700.00	3,492.66	0.00	5,692.66
Regional Show	0.00	0.00	200.00	0.00	200.00
Mmbrship List	0.00	0.00	0.00	\$1,138.00	1,138.00
Donations	1,059.25	0.00	0.00	417.50	1,476.75
Liability Insurance	255.00	0.00	0.00	\$535.00	790.00
Bonding	300.00	0.00	0.00	23.01	323.01
Non Profit Fee	0.00	40.00	0.00	0.00	40.00
P.O. Box Fees	98.00	0.00	0.00	0.00	98.00
Audit Expenses	0.00	7.33	0.00	0.00	7.33
Advertising	0.00	0.00	0.00	1,565.68	1565.68
Miscellaneous	67.50				67.50
TOTAL:	11,856.51	11,025.53	10,242.90	11,698.65	44,823.59
BALANCE FWD:	24,450.94	25,200.00	\$16,006.81	\$9,991.75	\$24,450.94
INCOME:	12,605.57	1832.34	4,227.84	21,614.98	40,280.73
EXPENSES:	11,856.51	11,025.53	10,242.90	11,698.65	44,823.59
CHECKBOOK BAL:	\$25,200.00	\$16,006.81	\$9,991.75	\$19,908.08	\$19,908.08
CD				\$21,042.98	
TOTAL				40,948.06	



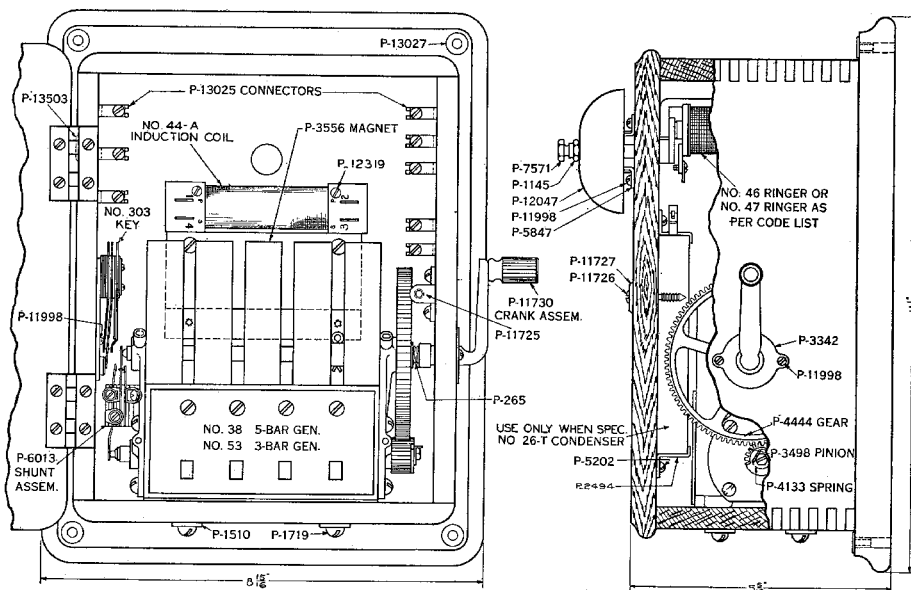
Code and Piece Numbers of Parts for No. 992 Desk Stand (part of the No. 1000 Desk Telephone Assembly).



Code and Piece Number of Parts for No. 327 Desk Set Box.



Code and Piece Numbers of Parts for No. 1197 Handset.



Code and Piece Numbers of Parts for No. 1180 Type Desk Set Box.

FRANK HAGENBUCH #2920
1045 Bonair Dr.
Williamsport, PA 17701
570-326-0932
fhagenbuch@comcast.net

WANTED

Vacuum tube type amplifiers manufactured by Western Electric, Langevin, McIntosh or Dukane. Western Electric vacuum tubes, transformers, speakers, horns, and literature wanted also. WE 111C repeat coils. Please let me know what you have for sale.

James H. Perkins #3459
601-833-0020
jperkins@sleekcom.com

Wanted

A decent W.E. A-1 / E-1 at a reasonable price. Guess everybody else wants one, too. Help an old guy out! Thanks.

John Wiley # 1116
6642 E. Vanguard St.
Mesa AZ. 85215
480-924-7062

For Sale

Handbuilt 1953 Ford telephone truck model 13" long has pull out drawers and 3-ladders \$375.00
Wooden Kellogg wall phone wired for incoming only calls \$85.00 Plus Shipping

WOW!

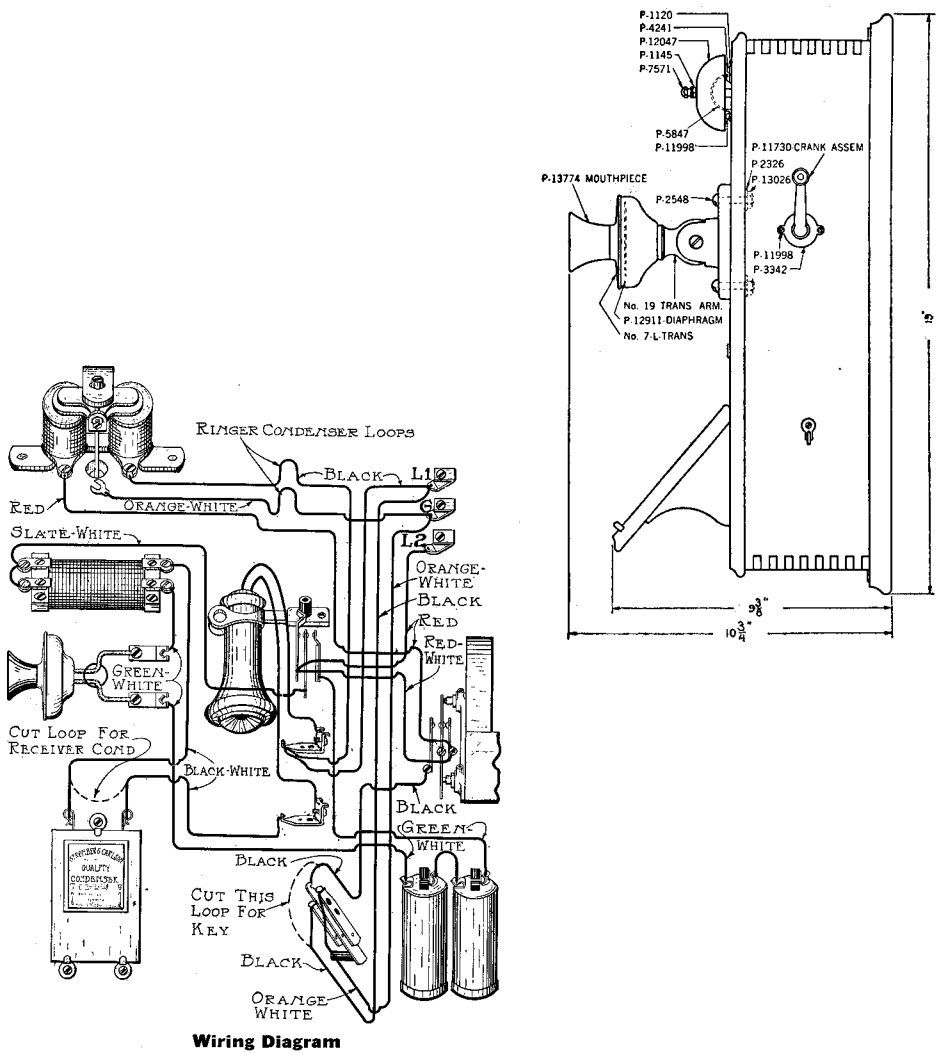
Mark your calendars now

We are going to Abilene

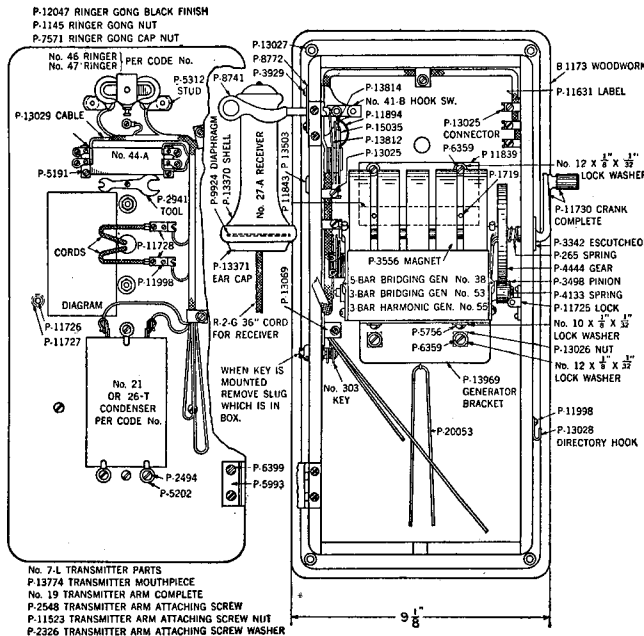
April 29-30, 2011

Jerry Williams will be hosting a show in the same hall we used to use for the Spring Show.

Sooooo, let's have a reunion!



Wiring Diagram



- No. 7-L TRANSMITTER PARTS
- P-13774 TRANSMITTER MOUTHPIECE
- No. 19 TRANSMITTER ARM COMPLETE
- P-2548 TRANSMITTER ARM ATTACHING SCREW
- P-11523 TRANSMITTER ARM ATTACHING SCREW NUT
- P-2526 TRANSMITTER ARM ATTACHING SCREW WASHER

Code and Piece Numbers of Parts for No. 896 Wall Telephone.

Kirk Shuttleworth
phonedollector1@verizon.net
 941-922-0860

For Sale

Black A E type 85 C with NB85200
 CSL 3 date 7-67-28 on the base w/ 10
 cond line cord. Has a red and chrome
 button on the handset cradle and a push
 / turn switch.
 Please contact me for pictures.

Allen Rockefeller #3642
 24 Fairview Place
 Hauppauge, NY 11788
 631-234-2004
Arock1313@optonline.net

WANTED

Keystone transmitter faceplate.
 American Electric dial c/s base cover w/
 ring.

Pax/Strowger celluloid
 number card. Leich Candlestick base
 bottom.

Stromberg Carlson early
 spiccup Handset for 1177/1178 cradle
 phone.

Kellogg non-dial base bottom
 w/ master phone tag. WE E1 receiver
 cap. AE Mercedes dial faceplate

Chuck Hensley #2218
cihensley@aol.com
 510-339-1758

WANTED

Western Electric 1554 any
 color but preferably black. The 1554 is
 a 10-button wall phone

Jon Kolger No. 561
 6906 Meade Drive
 Colleyville, TX 76034
 (817)-329-5262
jkolger@gte.net

WANTED

Looking for unusual acoustic
 "string" telephones, particularly those
 with magneto-signaling and/or
 speaking/listening tubes. Also seeking
 primitive, homemade acoustic
 telephones, the stranger the better.

Wanted to buy acoustic
 telephone literature such as catalogs,
 flyers, instructions, etc... What do you
 have?

Ron Christianson #822
 P O Box 43
 Cave Junction OR 97523
 Home 541 592 4123
 Wireless 541 287 0169
 Email ron@museumphones.com
 Website <http://www.museumphones.com>

For Sale

Step by Step DVD What happened in the
 Central Office when you dialed a number
 with your rotary dial telephone? How
 did it work? How did the call go through
 to the exact number you dialed and
 tone one else? These questions are
 answered on the newly available DVD
 titled "Step by Step". This film was
 transferred from a Bell System 16
 MM reel made in the 1940s by the Bell
 Telephone Company of Pennsylvania to
 DVD format so you can view it on your
 computer or your DVD player. Its fun to
 watch, educational for students and
 should be an integral part of your
 antique telephone mementos.
 The price for the DVD is \$20 plus
 \$1.79 shipping. Total is \$21.79.

I have a nice collection of 22 original /
 authentic Bell Labs Photos. Each one is
 an 8" X 10" first generation photo made
 by Bell Labs. I am having these crystal
 clear photos copied and laser printed on
 8 X 10 glossy card stock. They are \$5
 each -or- \$75 for all 22. These photos are
 perfect for framing.

- #1 Liquid Transmitter 1876
- #2 Centennial Iron Box 1876
- #3 Meriden And New Haven Set, No. 5
- #4 Standard Blake Transmitter 1885
- #6 Desk stand With Long Distance
 Transmitter And Receiver 1886
- #7 1878 Subscribers set bell with rubber
 hand telephone and magneto wall box
- #8 Charles Williams coffin set-two wood
 telephones 1878
- #12 1882 Magneto Bell-Blake subset-
 made by Charles Williams Jr.
- #13 W. E. Code No. 9 type desk stand
 1897
- #14 Cast Brass desk stand 1895
- #15 No. 2 desk stand 1892
- #16 Desk stand-two keys in base 1892
- #17 Code no. 20-f desk stand 1902
- #18 Desk Stand-code no. 20-AL 1914
- #19 Desk Stand with No. 2 dial 1920
- #20 Sub Set C.B. 1905
- #5 Code No. 209-Blake transmitter-wood
 button-open 1886

- #9 Large Wood Box-First Commercial
 Telephone 1877
 - #10 Box Telephone with thumper
 second form 1877
 - #11 First four forms-wooden hand
 telephones
 - #21 Hand Telephone Set With One
 Piece Base Code E-1-B 1928
 - #22 Modern Telephone 1937
- EMAIL ME AND I WILL SEND YOU AN
 EMAIL WITH THUMBNAIL PHOTOS
 OF THESE... THANKS*

Steve Hilsz #22
 PO Box 429
 Salome, AZ 85348
 (928) 859-3595
jjysk@tds.net

FOR SALE

Army Field Phone type EE-8 in leather
 case, working condition \$38, postage
 extra. I also stock many replacement
 parts for the EE-8 phones, inquire. All
 makes of dials repaired, still six dollars
 each plus postage.

Wanted

Dialtone generator, does not have to be
 precise, Bodine 48 volt dc interrupter
 motor with right angle drive, also
 electronic or mechanical interrupter for
 ring, busy and reorder tones. Call me at
 315-785-9108 (EST) if not home leave a
 message or email me at rkish2@verizon.net.
 Thanks Bob Kish.

Lynn G Graves #372
 5700 Xenon CT
 Arvada, CO 80002-1314
 303-431-1615
lgraves57@msn.com

Wanted

Chicago switch hook for a wooden
 wall Phone. I am restoring a phone for
 a friend. There is a picture of the switch
 assembly that the switch hook fits in the
 Wanted section of the Club Web Site.
 The phone is a plain front Sears Roebuck.
 If you only have a complete assembly I
 will purchase the complete switch hook
 assembly, any help would be appreciated. I
 will buy or trade.

If you have a box of old broken
 parts I repair damaged mouthpieces, receiver
 shells and caps. If you have some damaged
 items send them to me and for no charge I
 will send you back one repaired for every
 four you send me. As long as the threads
 are still good I will purchase broken
 mouthpieces for \$1.00 each or more if they
 are in very good condition plus shipping. Let
 me know what you have.

Ron and Mary Knappen
608 582 4124
phonecoinc@aol.com
www.phonecoinc.com

**We can deliver to the
Shipsheana Show.**

Ericofones: Inventory of large accumulation of NOS Ericofone items consisting of parts and including 7000 cases and 23,300 caps, and a pickup load of cords. These are leftovers from the last US manufacturer of Ericofones. \$55,000 which includes about 100 refurbished and some original Ericssons.

480 page Payphone History. The book is divided in 3 sections: 1. The Payphone (321 pgs), 2. Booths (63pgs), 3. Signs - 810 signs (74pgs), \$25.00 + \$5.00 shipping NE Grey multiline phones \$5.00 each , \$100 @ \$3.00 each. 3 Kellogg/ITT Payphone \$100 each Take all 3 + a cart full of misc condition (about 6) for \$400.

Mark Redmond, #875
610-772-5709 or
email curhistpub@aol.com

Wanted

Wanted in boxes only Western Electric Trimline phones. Button or Dial phones Western Electric only.

Also any other Trimline parts cords ec. in original packages. I am only looking for Western Electric phones

Bell System new old stock. Always looking for Porcelain Telephone signs.

Cliff Sullivan
4902 West Monte Cristo Ave.
Glendale, Az. 85306
sucliff@cox.net
602-978-3551

For Sale

1000' of black flat telephone cordage. Make your own modular cords for your old telephones. \$38.50 + postage.

David Martin
6016 Sheaff La.
Ft. Washington, PA 19034
215-628-9490

For Sale

- 1. Western Electric parts for 48A magneto P42977 pinion washers P42972 pinion springs P101493 pinion gears P18377 main shaft springs P101492 shaft nuts P113457 shaft collars

Also complete or partial contacts or shunts Seven different parts for \$10 MANY AVAILABLE

- 2. 3" round glass paperweight with a paper insert in the bottom, Lehigh Telephone Company, a local company associated with the Bell System, with a 1921 bell logo in the center, white and blue paper, 1-1/4" high. \$125

- 3. Series R1 thru R12 unused Bell Telephone Post Cards colorful. \$250

- 4. 12 different Western Electric cards advertising different phone items, numbered 1669 to 1682 3" x 5" black and white. \$120

- 5. Celluloid 6" Keystone Telephone Co. Letter opener, **Use The Keystone, Local - Long Distance.** The Whitehead and Hoag Co., Newark, N.J., pat. 1905. \$25 each

- 6. Oval Pocket mirror, 2-1/2" long, The New England Telephone & Telegraph Co. Boston **When in doubt telephone and find out**, L&LD Bell. \$140

- 7. Telstar tie clip \$10 with the shape of the Satellite on the cross bar.

- 8. Nickel plated transmitter 3-1/8" I.D., w/o guts, National Telegraph and Telephone Co., Phila., Pa. Hughes Patent. \$200

- 9. W.E. type 6 dial mounted into a 57A dial holder, with its outer trim ring, clean. Black \$75

- 10. Blue and white cardboard sign, 5" x 7" with two brass grommets, 1921 Bell logo New York Telephone Company, "Wet Paint please be careful," with some old off color paint on the sign. \$25

- 11. **A.** Ink blotters 9-1/2" x 4" red white and blue 1909 bell logo *Don't write talk* bell lines reach everywhere local and long distance telephone, every bell telephone is a long distance station. \$15

- B.** 8" x 4" w/o the last line like A. \$20
- C.** 9-1/2" x 4" same as B w/o local and long distance telephone. \$15
- D.** Same as C w/o don't write. \$15.

E. Bell Telephone of Pennsylvania, Chesapeake & Potomac Tel. Co. and Delaware and Atlantic Tel and Tel Co, To reach anyone anytime anywhere, don't travel telephone. Telephone don't write are you bell telephoned, 1909 logo with two

Non-dial stick phones. \$45

- 12. AT & T Map Long Distance Bell 1895 fold up map of the lines and Metallic circuit connections, 1000 miles and return in 5 minutes, the mail is quick telegraph is quicker but long distance telephone is instantaneous and you don't have to wait for an answer, etc. with a picture of a booth with a vanity phone inside etc., black white and 2 shades of blue, 4 x 9" folded. 18" x 24" open. \$75

- 13. Dean wall switch and hook, the type that comes with the hook esc. attached, and mounts with 4 screws. \$25 each

- 14. Red, white and blue independent shield logo on an 8 x 18" sign flange sign, Automatic Illinois Tunnel Co. local and long distance telephone pay station, rough sign, with rust and 2 holes. \$150

Wanted: • *Keystone Receiver* • *North Receiver, Transmitter and backup for wood wall phone.* 10L payphone locks with or without keys, *Leich nondial candlestick Receiver,* *Bottom cover for Stromberg dial stick*
Gene Doom springdoom@aol.com
(616)842-8327

WANTED:

Hi all, I'm looking for these W.E. items: AUTOVON Card Dialer cards, RED 4A Speakerphone transmitter, GREY 760A Loudspeaker, TURQUOISE hardwired G6 Handset, 259B KTU, Transparent (clear) 565HK Keyset, D50BC Line Cord, any plastic housing parts for old Bell System Data Phones. Thanks!
Dave Friedman, (310) 837-3089 or mommabirdie@netzero.net