

HISTORICAL FACT SHEET Telephone Industry Related Companies



COMPANY Clamond Telephone & Manufacturing Company

DATE ORGANIZED 1894

WHERE ORGANIZED Philadelphia, PA

FOUNDER(S) Peter Widener, Stephen Elkins

NATURE OF BUSINESS Manufacturer

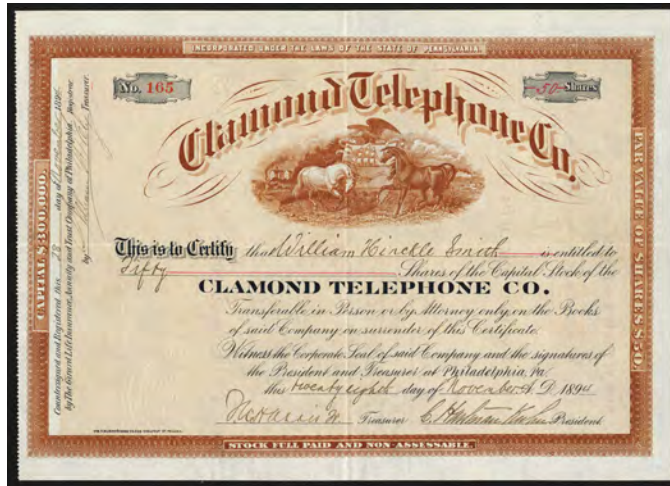
Subsequent names or significant changes resulting from acquisitions, consolidation, sales or bankruptcies:

DATE

REMARKS Charles Clamond, a french inventor, patent's were assigned to Widener and

Elkins. They formed the Clamond Telephone & b Mfg Co based on those patents in 1894

Source: Western Electrician, 1894; Electrical Journal, 1899, Telephony, 1904



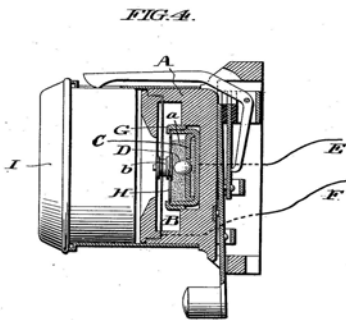
(No Model.)

C. CLAMOND.
TELEPHONE TRANSMITTER.

2 Sheets—Sheet 2.

No. 541,036.

Patented June 11, 1895.



WITNESSES:
F. Norman Dixon
Thos. H. Lancaster

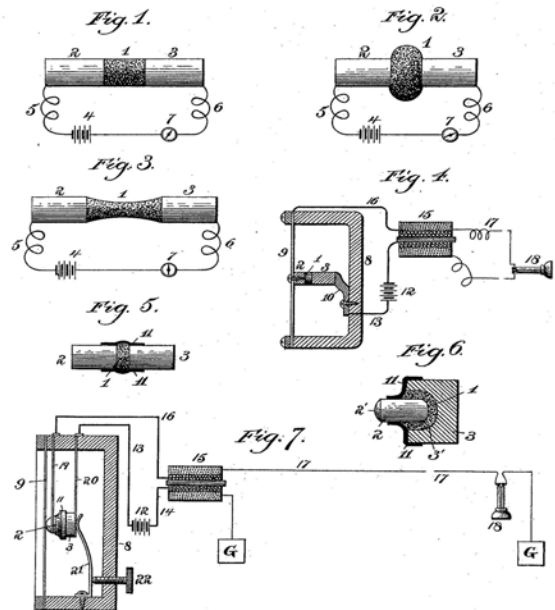
Charles Clamond
INVENTOR:
By his Attorney,
Strawbridge & Taylor
and Joseph C. Haley

(No Model.)

C. CLAMOND.
MICROPHONE.

No. 486,244.

Patented Nov. 15, 1892.



Witnesses:
W. M. Lynn
G. T. Chapman

Inventor,
Charles Clamond,
By Joseph Lyons
Attorney