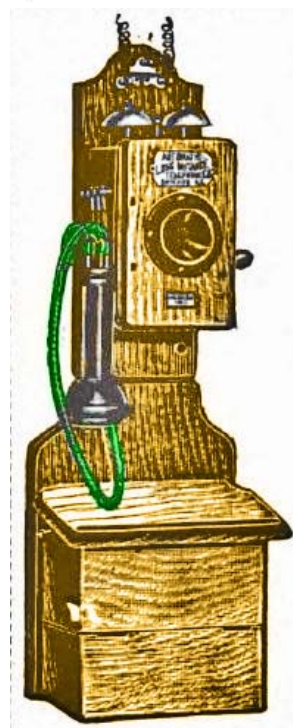


HISTORICAL FACT SHEET Telephone Industry Related Companies



COMPANY Automatic Long-Distance Telephone Company

DATE ORGANIZED 1895

WHERE ORGANIZED Chicago, IL

FOUNDER(S) John F. Pershing, Cleveland F. Dunderdale
Stephen W. Greenbeck

NATURE OF BUSINESS Manufacturer

Subsequent names or significant changes resulting from acquisitions, consolidation, sales or bankruptcies:

Listed as officially dissolved

DATE

1921

REMARKS Mr. Dunderdale was an inventor who held several patents assigned to this
small local company located on the second floor at 251 S. Jefferson , Chicago

Information obtained indicates that the company produced receivers, transmitters, switch-
boards and telephones. As of this date we have found no images or examples of
telephones produced by this company.

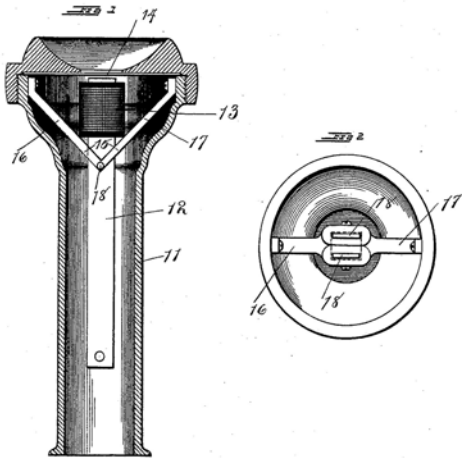
Source: Electricity, 1895; The National Corporation Reporter, 1921

(No Model)

C. F. DUNDERDALE.
TELEPHONE.

No. 582,522.

Patented May 11, 1897.



Witnesses:
C. H. Graham
J. W. Ken.

Inventor
Cleaveland F. Dunderdale,
By Chas. C. Buckley
Att'y.

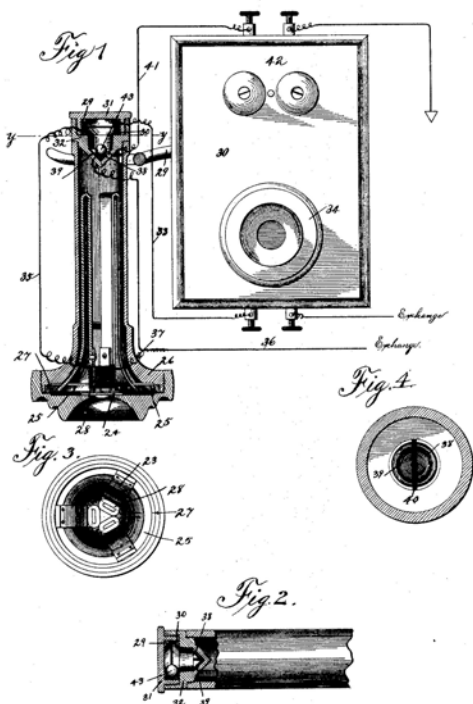


(No Model)

C. F. DUNDERDALE.
ELECTRIC TELEPHONE.

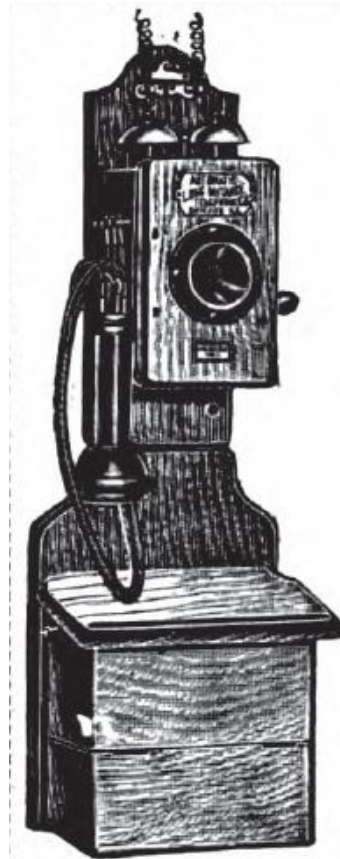
No. 585,560.

Patented June 29, 1897.



Witnesses:
C. H. Graham
W. N. Tompkins

Inventor
Cleaveland F. Dunderdale,
By Chas. C. Buckley
Att'y.



**Automatic
Long Distance
Telephone Co.**

**PATENTEES and
MANUFACTURERS OF
NON-INFRINGEMENT
High Grade,
Automatic Rotating,
Non-Vibratory
Diaphragm Com-
pound Transmitters.**

**Automatic Compensating
Adjustment Switch
Receivers.**

**249-251 So.
Jefferson St.
CHICAGO.**