

# HISTORICAL FACT SHEET Telephone Industry Related Companies



COMPANY Audible Telephone Manufacturing Co.

DATE ORGANIZED 1918

WHERE ORGANIZED Chicago, IL

FOUNDER(S) R.A. Cavanaugh

NATURE OF BUSINESS Manufacturer

Subsequent names or significant changes resulting from acquisitions, consolidation, sales or bankruptcies:

DATE

	DATE
_____	_____
_____	_____
_____	_____
_____	_____
_____	_____
_____	_____

REMARKS The Audible Tel Mfg Co got a late start in the telephone manufacturing business with a candlestick telephone using it's newly patented 1920's transmitter. By the time the Audible Company began to produce its candlestick telephone, most other manufacturing companies were producing the newer styled single handset round based desk sets. Audible was un; Electrable to obtain a market share with its older styled telephones.

Source: Telephony 1921; electrical Yearbook 1921

February 12, 1921.



## The Audible Desk Set A Quality Product at a Low Cost

This new desk set is as great an improvement over the old type as the AUDIBLE TRANSMITTER is over the compression transmitter. It contains the Audible Transmitter and embodies all its advantages: better articulation; absence of side tones; greater power on long distance and immunity from troubles arising from moisture.

The AUDIBLE DESK SET also offers you several additional features that appeal strongly to every telephone engineer and operating man.

**SIMPLICITY** has been secured in a high degree by reducing the number of parts to a minimum consistent with effective operation.

**COMPLETE ACCESSIBILITY** to any part is obtained by loosening two screws in the base. You can make adjustments on any part without interfering with the others.

**DURABILITY** has been secured by making the metal parts of a grade of cold drawn steel that has proved most effective in withstanding long and severe usage. There are no small or fragile parts—nothing to get out of order. The switch is of nickel silver, with hard sterling silver contact points.

**Price, \$6.25, Complete**

The low price of the Audible Desk Set is largely made possible by the fact that we are specialists in the manufacture of desk sets and transmitters. The reduction of the number of parts to a minimum, the use of special tools, and the efficient operation of our factory also play their part in keeping down the cost.

AUDIBLE products are guaranteed. Order one or more AUDIBLE DESK SETS and if you are not entirely satisfied return them to us and your money will be refunded. In ordering state whether you use magnets or common battery and whether 2, 3, or 4 conductor cord.

**AUDIBLE TELEPHONE MFG. CO.**

R. A. CAVERNAUGH, President

3037-39 No. Clark Street

CHICAGO, ILLINOIS



## The AUDIBLE TRANSMITTER IS UNAFFECTED BY DAMPNESS

—which means a lot more than merely being water-proof. You can submerge an Audible Transmitter under several inches of water and with your face several feet from the water's surface, talk into it and be heard distinctly.

This quality makes the Audible Transmitter a necessity in places where the ordinary type falls on account of dampness—in regions of abnormal rainfall, in mines, ice plants or alongside rivers and harbors. No matter what degree of dampness, it assures good service.

**PRICE \$1.50 Each, COMPLETE**

Sold on money-back guarantee. In ordering state whether you use local or common battery.

**AUDIBLE TELEPHONE MFG. CO.**

R. A. CAVERNAUGH, Pres.

3037-39 No. Clark St.

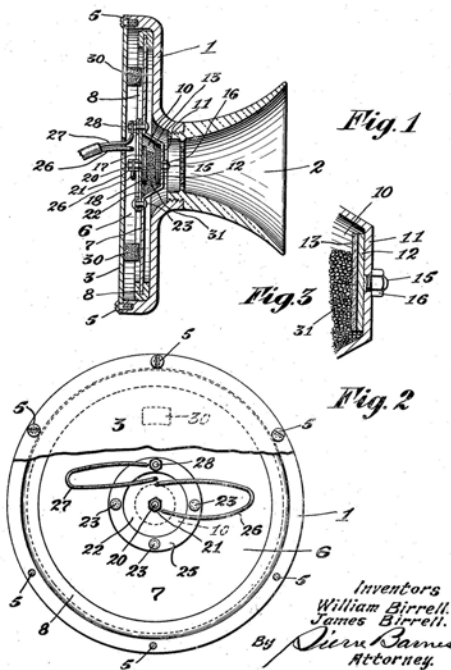
CHICAGO, ILL.

W. AND J. BIRRELL,  
TELEPHONE TRANSMITTER.

APPLICATION FILED JUNE 27, 1916. RENEWED JAN. 19, 1920.

1,342,582.

Patented June 8, 1920.



W. AND J. BIRRELL,

TELEPHONE TRANSMITTER.

APPLICATION FILED AUG. 19, 1917. RENEWED JAN. 19, 1920.

1,342,581.

Patented June 8, 1920

